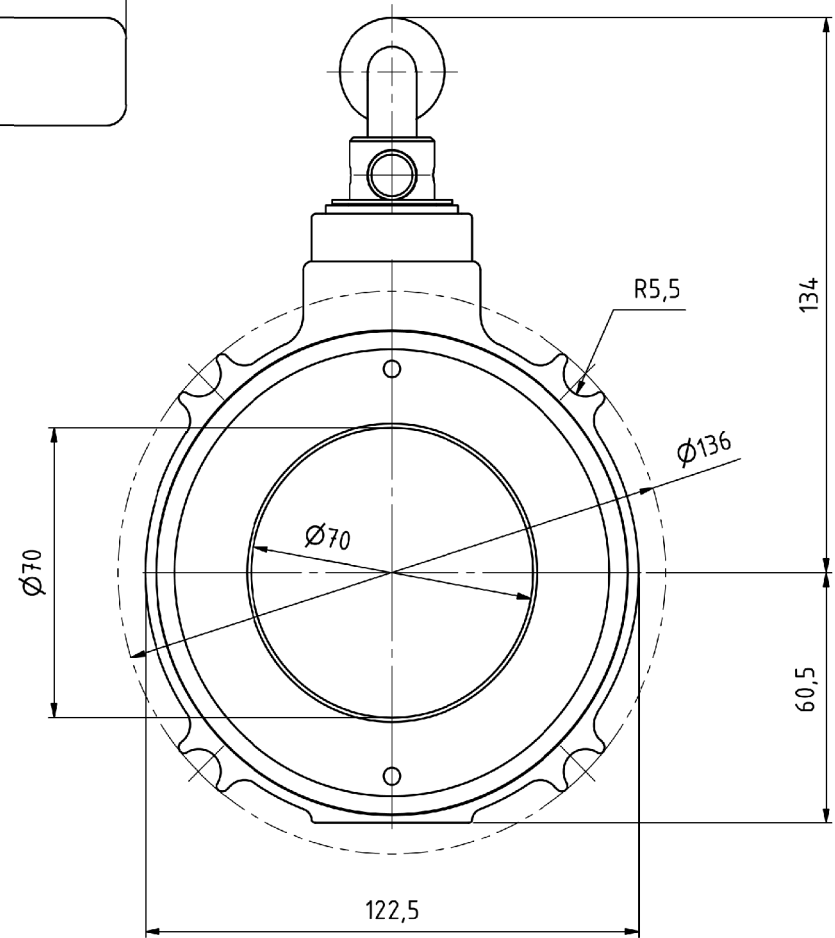
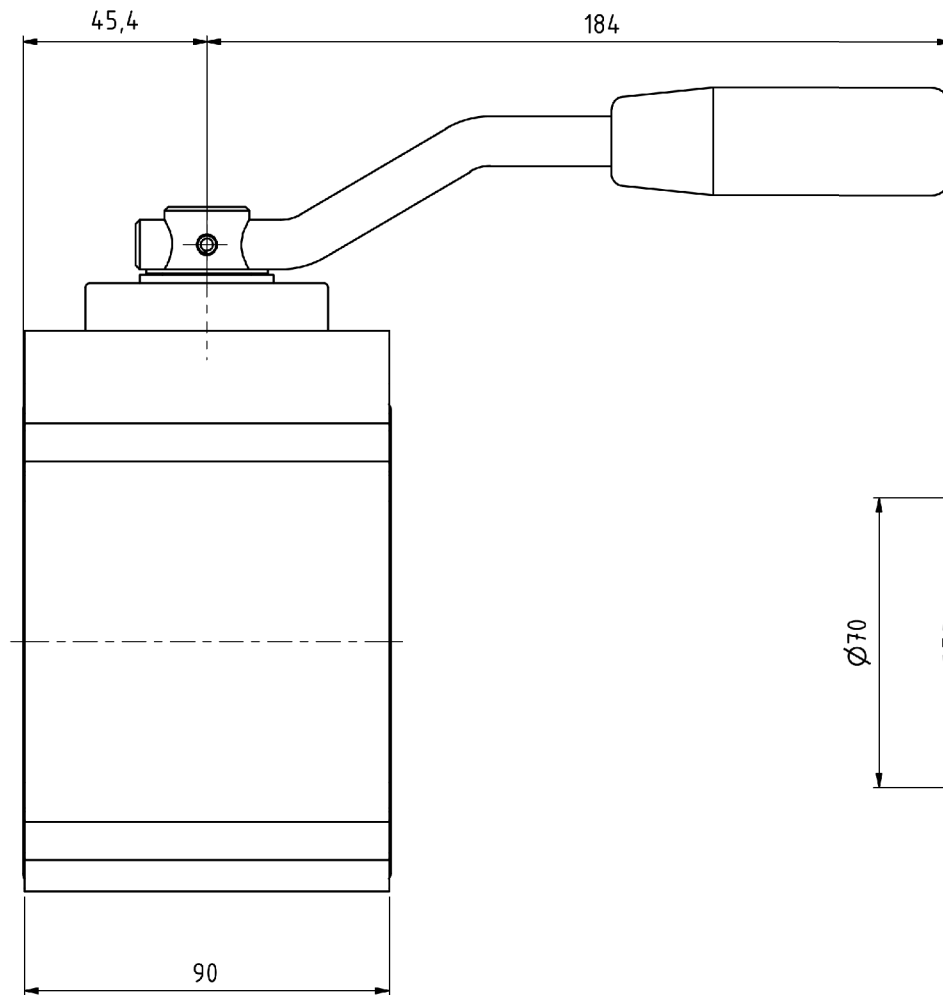


Notice: This drawing contains proprietary information and shall not be used or reproduced or its contents disclosed in whole or in part, without the prior written consent of the Mann Teknik AB



**MannTek**

B400A1001-1  
Full Flow Ballvalves  
DN 80 (3")

1

3D

030918

AE

MB