

## 2½" (Ø105 mm) Technical information

Tank unit / Adapter and Hose unit / Coupler



### According to NATO STANAG 3756

Material	Maximum working pressure	Test pressure	Minimum Burs Pressure
Aluminium	10 bar / 145 psi	15 bar / 218 psi	50 bar / 726 psi
Brass/Gun Metal	16 bar / 232 psi	24 bar / 348 psi	80 bar / 1160 psi
Stainless Steel	25 bar / 363 psi	37,5 bar / 544 psi	125 bar / 1813 psi
Titan	25 bar / 363 psi	37,5 bar / 544 psi	125 bar / 1813 psi
Hastelloy	25 bar / 363 psi	37,5 bar / 544 psi	125 bar / 1813 psi
Peek	6 bar / 87 psi	9 bar / 131 psi	30 bar / 435 psi

### Connections

2½" and 3" in BSP, NPT and Flanged inlet

### Applications

The 2" (105 mm) DDCoupling is recommended for road tanker bottom loading for a variety of fluids or on any application where product contamination and spillage needs to be minimized.

### Media

**Petroleum products:** Gasoline, diesel, oil etc.

**Chemical products:** Ethylene Oxide, Propylene Oxide, Acrylonitrile, Butadiene, Ammonia, Vinyl Chloride, Toluene, Xylene, Sulphuric Acid, Phenol etc.

**Gas:**

**Dry powder:** Chocolate powder e.t.c.

### Material

Aluminium, Brass/Gunmetal, Stainless Steel, Hastelloy and PEEK. Other materials on request.

### Seals

Standard seals in FPM (Viton®), EPDM, Chemraz®, Kalrez®, NBR (Nitrile). Other materials on request.

### High Flow Rates / Low Pressure Drop

Allows maximum product transfer with minimal losses

### Recommended Maximum Flow Rates

1500 litres/minute (fuel)

### Selectivity

#### - Avoid mixing products:

To avoid product contamination caused by connecting a hose unit to the wrong tank unit, selective versions of the hose and tank units are available. Each unit has a number of selective positions, designated by a coded part number according to the coupling size - specify when placing order.

### Interchangeability:

Compatibility with other existing brands, e.g. TODO-matic and Fulcrum couplings.

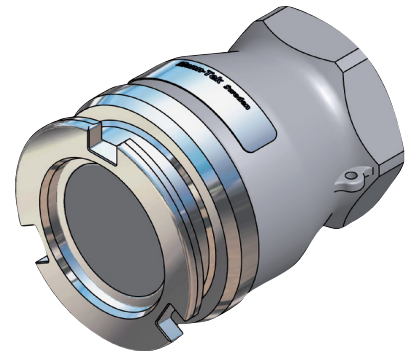
### Hose unit with Integrated Swivel

All hose units are designed with integrated Swivel

## 2 1/2" (Ø105 mm) Tank unit / Adapter - Female thread

According to NATO STANAG 3756

Connection <sup>1)</sup> Inch/DN	Body Material <sup>2)</sup>	Seal <sup>3)</sup>		Weight		Code No		
		O-ring	Flat seal	kg	lbs			
F 2 1/2" BSP	<b>AI</b>	Standard: <b>FPM/FKM</b> (Viton®)	<b>PUR</b> (Vulkollan®)	1,0		<b>T312D1101B</b>		
F 3" BSP				1,0		<b>T314D1101B</b>		
F 2 1/2" NPT						<b>T313D1101</b>		
F 3" NPT				1,1		<b>T315D1101</b>		
F 2 1/2" BSP	<b>GM</b>		Standard: <b>FPM/FKM</b> (Viton®)	<b>PUR</b> (Vulkollan®)	2,7		<b>T312D2201B</b>	
F 3" BSP					2,9		<b>T314D2201B</b>	
F 2 1/2" NPT					2,9		<b>T313D2201</b>	
F 3" NPT					3,2		<b>T315D2201</b>	
F 2 1/2" BSP	<b>SS</b>			Other on request	<b>PTFE</b> Teflon®	2,5		<b>T312B4401A</b>
F 3" BSP						3,1		<b>T314B4401A</b>
F 2 1/2" NPT						2,7		<b>T313B4401</b>
F 3" NPT						3,7		<b>T315B4401</b>
F 2 1/2" BSP	<b>Hastelloy</b>	Other on request			<b>PTFE</b> Teflon®	2,6		<b>T312A7701A</b>
F 3" BSP								<b>T314A7701A</b>
F 2 1/2" NPT								<b>T313A7701</b>
F 3" NPT								<b>T315A7701</b>
F 2 1/2" BSP	<b>PEEK</b>		Other on request		<b>PTFE</b> Teflon®			<b>T312A9901A</b>
F 3" BSP								<b>T314A9901A</b>
F 2 1/2" NPT								<b>T313A9901</b>
F 3" NPT								<b>T315A9901</b>



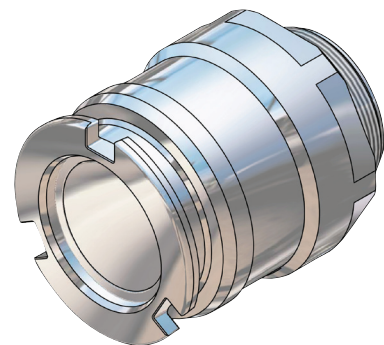
- 1) Female thread BSP=ISO 228, NPT=ANSI B1.20.1  
 2) **Mtrl:** AI=Aluminium, GM=Gun Metal, SS= Stainless Steel  
 3) Standard seal. Other on request.

Viton® (FPM) and Teflon® (FPM/KPM) are registered trademarks of DuPont, DuPont Elastomers. Vulkollan® is registered trademark of Bayer AG

## 2 1/2" (Ø105 mm) Tank unit / Adapter - Male thread

According to NATO STANAG 3756

Connection <sup>1)</sup> Inch/DN	Material <sup>2)</sup>	Seal <sup>3)</sup>		Weight		Code No				
		O-ring		kg	lbs					
M 2 1/2" BSP	<b>AI</b>	Standard: <b>FPM/FKM</b> (Viton®)		1,0		<b>T380A1101</b>				
M 3" BSP						<b>T382A1101</b>				
M 2 1/2" NPT						<b>T381A1101</b>				
M 3" NPT						<b>T383A1101</b>				
M 2 1/2" BSP	<b>GM</b>			Other on request				<b>T380A2201</b>		
M 3" BSP								<b>T382A2201</b>		
M 2 1/2" NPT								<b>T381A2201</b>		
M 3" NPT								<b>T383A2201</b>		
M 2 1/2" BSP	<b>SS</b>					Other on request				<b>T380A4401</b>
M 3" BSP										<b>T382A4401</b>
M 2 1/2" NPT										<b>T381A4401</b>
M 3" NPT										<b>T383A4401</b>



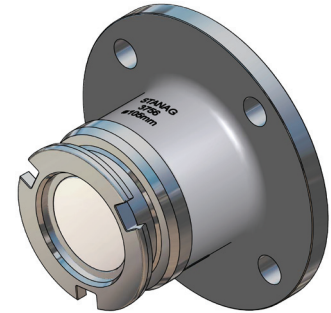
- 1) Male thread BSP=ISO 228, NPT=ANSI B1.20.1  
 2) **Mtrl:** AI=Aluminium, GM=Gun Metal, SS=Stainless Steel  
 3) Standard seal. Other on request.

Viton® (FPM) and Teflon® (FPM/KPM) are registered trademarks of DuPont, DuPont Elastomers. Vulkollan® is registered trademark of Bayer AG

## 2½" (Ø105 mm) Tank unit / Adapter, Flanged inlet

According to NATO STANAG 3756

Flange <sup>1)</sup>	Material <sup>2)</sup>	Seal <sup>3)</sup>		Weight		Code No
		O-ring		kg	lbs	
undrilled Ø210 mm	AI	Standard: FPM/FKM (Viton®)		2,1		T320D1101
DN 65 PN 10 / 16 Type A				1,6		T333D1101
DN 80 PN 10 / 16 Type A				1,8		T336D1101
2½" ANSI 150 psi				1,7		T359D1101
3" ANSI 150 psi				1,8		T361D1101
TW1 (DN 80)				1,3		T365D1101
TW3 (DN 100)				1,7		T366D1101
3" TTMA				1,4		T367D1101
4" TTMA				1,5		T368D1101
undrilled Ø210 mm			GM	Standard: FPM/FKM (Viton®)		6,2
DN 65 PN 10 / 16 Type B		4,9				T333D2201
DN 65 PN 25 / 40 Type B		-				T334D2201
DN 80 PN 10 / 16 Type B		-				T336D2201
DN 80 PN 25 / 40 Type B		-				T337D2201
2½" ANSI 150 psi		4,4				T359D2201
2½" ANSI 300 psi		-				T360D2201
3" ANSI 150 psi		4,4				T361D2201
3" ANSI 300 psi		-				T362D2201
TW1 (DN 80)		4,4				T365D2201
TW3 (DN 100)		-		T366D2201		
3" TTMA		-		T367D2201		
4" TTMA		-		T368D2201		
undrilled Ø210 mm	SS	Other on request		-		T320B4401
undrilled Ø210 mm **)				-		T320B4401F
DN 65 PN 25 / 40 Type E *)				-		T332B4401
DN 65 PN 10 / 16 Type B				4,2		T333B4401
DN 65 PN 10 / 16 Type B **)				-		T333B4401F
DN 65 PN 25 / 40 Type B				-		T334B4401
DN 65 PN 25 / 40 Type B **)				4,3		T334B4401F
DN 80 PN 10 / 16 Type E *)						T335B4401
DN 80 PN 10 / 16 Type B						T336B4401
DN 80 PN 10 / 16 Type B **)						T336B4401F
DN 80 PN 25 / 40 Type B				T337B4401		
DN 80 PN 25 / 40 Type B **)				T337B4401F		
2½" ANSI 150 psi				T359B4401		
2½" ANSI 150 psi **)				T359B4401F		
2½" ANSI 300 psi				T360B4401		
2½" ANSI 300 psi **)		4,5		T360B4401F		
3" ANSI 150 psi				T361B4401		
3" ANSI 150 psi **)				T361B4401F		
3" ANSI 300 psi				T362B4401		
3" ANSI 300 psi **)				T362B4401F		
TW1 (DN 80)				T365B4401		
TW3 (DN 100)				T366B4401		
3" TTMA				T367B4401		
4" TTMA				T368B4401		



1) Flanges according to EN 1092 , ANSI B16.5 and DIN 28459.

2) **Mtrl:** AI=Aluminium, GM=Gun Metal, SS=Stainless Steel

3) Standard seal. Other on request.

Viton® (FPM) and Teflon® (FPM/KPM) are registered trademarks of DuPont, DuPont Elastomers. Vulkollan® is registered trademark of Bayer AG

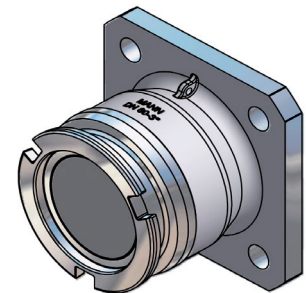
\*) Type E, EN 1092-1:2001 Spigot

\*\*\*) Flange with standard thickness

## 2½" (105mm) Tank unit / Adapter with square flange connection

According to NATO STANAG 3756

Flange <sup>1)</sup>	Material <sup>2)</sup>	Seal <sup>3)</sup>		Weight		Code No
		O-ring		kg	lbs	
Normec (120x120 mm)	AI	Standard:				T3107D1101
Normec (120x120 mm)	GM	FPM/FKM (Viton®)				T3107D2201



1) Flanges according to EN 1092 , ANSI B16.5 and DIN 28459

2) **Mtrl:** AI=Aluminium, GM=Gun Metal

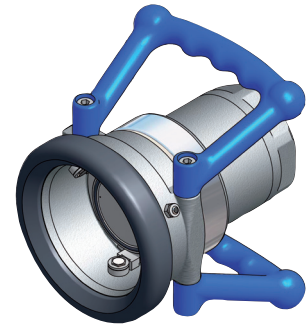
3) Standard seal. Other on request.

Viton® (FPM) and Teflon® (FPM/KPM) are registered trademarks of DuPont, DuPont Elastomers. Vulkollan® is registered trademark of Bayer AG

## 2 1/2" (Ø105 mm) Hose unit / Adapter - Female thread

According to NATO STANAG 3756

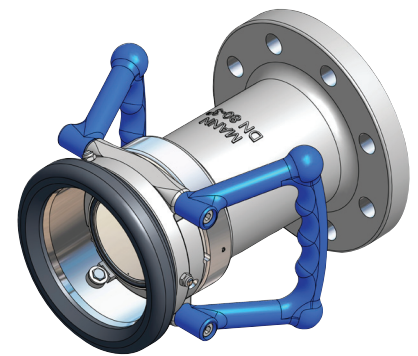
Connection <sup>1A)</sup> Inch/DN	Material <sup>2)</sup>	Seal <sup>3)</sup>		Weight		Code No		
		O-ring	Flat seal	kg	lbs			
F 2 1/2" BSP	AI	Standard: FPM/FKM (Viton®)	PUR	3,3		S312B1101B		
F 3" BSP			(Vulkollan®)	3,6		S314B1101B		
F 2 1/2" NPT				3,4		S313B1101		
F 3" NPT				3,5		S315B1101		
F 2 1/2" BSP	GM		Other on request	PUR	7,3		S312B2201B	
F 3" BSP				(Vulkollan®)	7,4		S314B2201B	
F 2 1/2" NPT					-		S313B2201	
F 3" NPT					7,6		S315B2201	
F 2 1/2" BSP	SS			Other on request	PTFE	6,7		S312B4401A
F 3" BSP					(Teflon®)	6,6		S314B4401A
F 2 1/2" NPT						6,6		S313B4401
F 3" NPT						6,6		S315B4401
F 2 1/2" BSP	Ha	Other on request			PTFE			S312A7701A
F 3" BSP					(Teflon®)			S314A7701A
F 2 1/2" NPT								S313A7701
F 3" NPT								S315A7701
F 2 1/2" BSP	PEEK		Other on request		PTFE			S312A9901A
F 3" BSP					(Teflon®)			S314A9901A
F 2 1/2" NPT								S313A9901
F 3" NPT								S315A9901



## 2 1/2" (Ø105 mm) Hose unit / Coupler, Flanged inlet

According to NATO STANAG 3756

Flange <sup>1B)</sup>	Body Material <sup>2)</sup>	Seal <sup>3)</sup>		Weight		Code No		
		O-ring		kg	lbs			
undrilled Ø210 mm	AI	Standard: FPM/FKM (Viton®)				S320B1101		
DN 65 PN 10 / 16 Type A							S333B1101	
DN 80 PN 10 / 16 Type A							S336B1101	
2" ANSI 150 psi							S357B1101	
2 1/2" ANSI 150 psi							S359B1101	
3" ANSI 150 psi							S361B1101	
TW1 (DN 80)							S365B1101	
TW3 (DN 100)							S366B1101	
3" TTMA							S367B1101	
4" TTMA							S368B1101	
undrilled Ø210 mm			GM	Standard: FPM/FKM (Viton®)				S320B2201
DN 65 PN 10 / 16 Type B								
DN 65 PN 25 / 40 Type B								S334B2201
DN 80 PN 10 / 16 Type B								S336B2201
DN 80 PN 25 / 40 Type B							S337B2201	
2" ANSI 150 psi							S357B2201	
2 1/2" ANSI 150 psi							S359B2201	
2 1/2" ANSI 300 psi							S360B2201	
3" ANSI 150 psi							S361B2201	
3" ANSI 300 psi							S362B2201	
TW1 (DN 80)							S365B2201	
TW3 (DN 100)							S366B2201	
3" TTMA						S367B2201		
4" TTMA						S368B2201		
undrilled Ø210 mm	SS	Other on request				S320B4401		
undrilled Ø210 mm **)							S320B4401F	
DN 65 PN 25 / 40 Type E *)							S332B4401	
DN 65 PN 10 / 16 Type B					10,0		S333B4401	
DN 65 PN 10 / 16 Type B **)							S333B4401F	
DN 65 PN 25 / 40 Type B							S334B4401	
DN 65 PN 25 / 40 Type B **)							S334B4401F	
DN 80 PN 10 / 16 Type E *)							S335B4401	
DN 80 PN 10 / 16 Type B							S336B4401	
DN 80 PN 10 / 16 Type B **)							S336B4401F	
DN 80 PN 25 / 40 Type B							S337B4401	
DN 80 PN 25 / 40 Type B **)							S337B4401F	
2" ANSI 150 psi						S357B4401		
2" ANSI 150 psi **)						S357B4401F		
2 1/2" ANSI 150 psi				6,6		S359B4401		
2 1/2" ANSI 150 psi **)						S359B4401F		
2 1/2" ANSI 300 psi						S360B4401		
2 1/2" ANSI 300 psi **)						S360B4401F		
3" ANSI 150 psi						S361B4401		
3" ANSI 150 psi **)						S361B4401F		
3" ANSI 300 psi						S362B4401		
3" ANSI 300 psi **)						S362B4401F		
TW1 (DN 80)						S365B4401		
TW3 (DN 100)						S366B4401		
3" TTMA						S367B4401		
4" TTMA						S368B4401		



\*) Type E, EN 1092-1:2001 Spigot \*\*) Flange with standard thickness

1A) Female thread BSP=ISO 228, NPT=ANSI B1.20.1

1B) Flanges according to EN 1092, ANSI B16.5 and DIN 28459.

2) **Mtrl:** AI=Aluminium, GM=Gun Metal, SS=Stainless Steel, Ti=Titan, Ha=Hastelloy, PE=PEEK

3) Standard seal. Other on request.

Viton® (FPM) and Teflon® (FPM/KPM) are registered trademarks of DuPont, DuPont Elastomers. Vulkollan® is registered trademark of Bayer AG