

# PBV 100 115/65/25

## PNEUMATIC ACTUATED BOTTOM VALVES



Pressure balanced version  
Usable as shut off valve for  
Bottom loading and also for  
Overfill prevention  
(Hydraulic opening pressure:  
13.6 to 15.5 bar)

Complete safe separation of  
product and compressed air:  
No fuel in the compressed  
air at any time

Certified  
according to:  
ADR 2013

Non-pressure  
compensated  
cc. to EN 13308

Pressure  
compensated  
acc. to EN 13316

PBV 100 65 90



PBV 100 115 90



PBV 100 115 T



PBV 100 25 90



### ALL BOTTOM VALVES:

- Nominal pressure 10 bar
- Extremely low pressure loss for maximum delivery rate with vortex breaker
- Complete separation of product and compressed air
- Attenuation to avoid pressure peaks
- Pre-determined breaking points to protect the tank compartment
- Low weight
- Certified according to ADR 2013, chapter 6.8.2.3
- Working temperature range regular operation: -20° to +50 °C
- Low-maintenance and fail-safe
  - Coated surface
  - VITON sealings
- Easy exchange of the main gasket
- Manual emergency opening possible

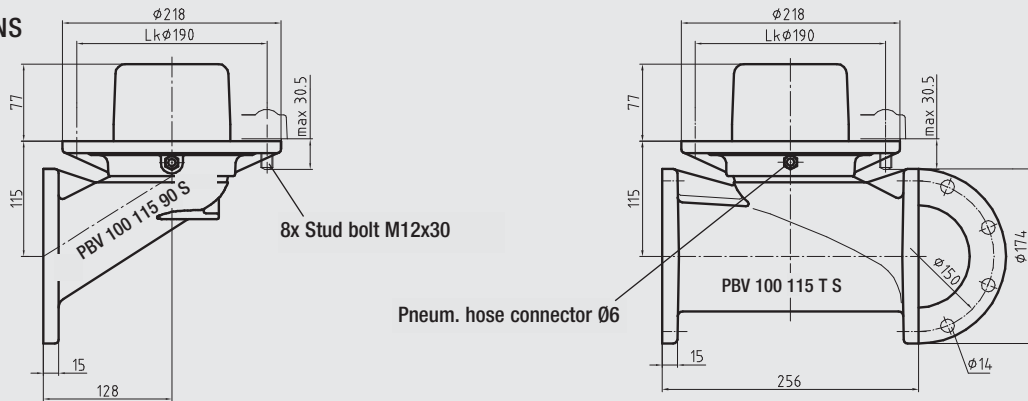
# PBV 100 115/65/25

## PNEUMATIC ACTUATED BOTTOM VALVES

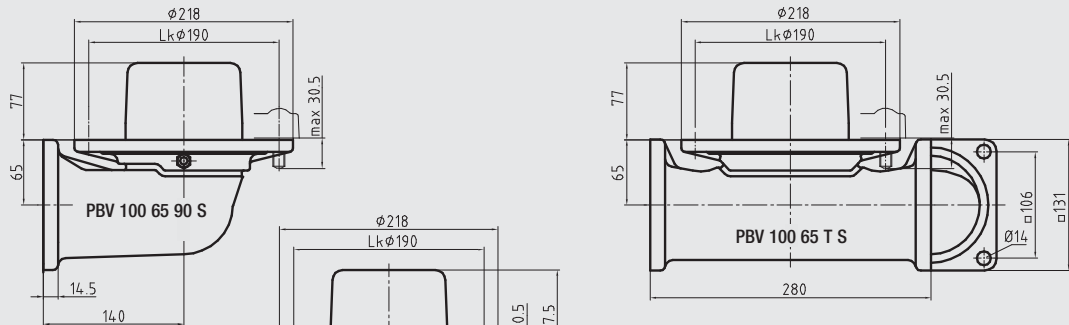


### DIMENSIONS

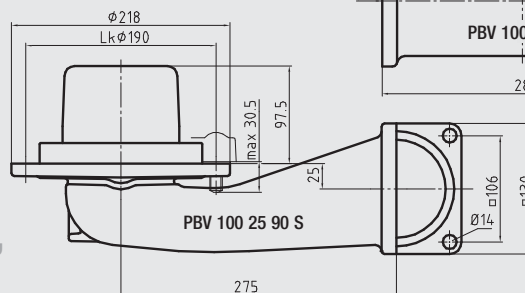
“115”



“65”



“25”



OLD LABELLING (PREVIOUS)	TODAY
PVBL 100/100	PBV 100 115
PBV M 100/100	PBV 100 65
PBV O 100/100	PBV 100 25

**ACCESSOIRES**

- 1001759 Weld-in flange AL (tank)
- 1037036 Flange gasket
- 1147567 Weld-on flange square
- 1141690 TW 3 Weld-on flange
- 1068667 TW 3 gasket
- 2144798 Strainer basket complete

PRESSURE BALANCED ACC. TO EN 13316	90° DESIGN	T DESIGN
“115” with TW 3 flanges	2132646 PBV 100 115 90 S	2161689 PBV 100 115 T S
“65” with square fl. short design	2146275 PBV 100 65 90 S	2162515 PBV 100 65 T S
“25” with square fl. long design	2165434 PBV 100 25 90 S	
NON PRESSURE BALANCED ACC. TO EN 13308	90° DESIGN	T DESIGN
“115” with TW 3 flanges	2166414 PBV 100 115 90 U	2161815 PBV 100 115 T U
“65” with square fl. short design	2157083 PBV 100 65 90 U	2162466 PBV 100 65 T U
“25” with square fl. long design	2165245 PBV 100 25 90 U	