



CAR FILLING



FUEL MANAGEMENT SYSTEMS



KITS



PUMPS



METERS



METERED NOZZLES

SUZZARABLUE PORTABLE KIT

FEATURES

- **READY TO USE**
- **TRANSPORTABLE**
- **CLAMPS FOR BATTERY CONNECTION**

Ease of use is the main feature of the PIUSI SUZZARABLUE PORTABLE KIT. The basic version of all Adblue® dispensers: it is composed by the SUZZARABLUE PUMP and SUZZARABLUE MANUAL NOZZLE.

PERFORMANCE

UP TO

35 L/MIN

FLOW RATE

AC/DC

VOLTAGE

POWER

20 MIN

DUTY CYCLE



SUZZARABLUE PORTABLE KIT



PACKAGING

CODE	WEIGHT		PACKAGING		N. BOXES / EUROPALLET	
	KG	LBS	MM	PCS/BOX		
FOO201AAA	8	17,6	357X327X275	1	24	36
FOO201C7A	10	22	357X327X275	1	24	36



NOZZLES



FILTRATION



TANK MONITORING



HOSE REEL



ACCESSORIES



MERCHANDISE



AIR



ANTIFREEZE



AdBlue®



BIODIESEL



DIESEL



FOOD



GASOLINE



GREASE



KEROSENE



OIL

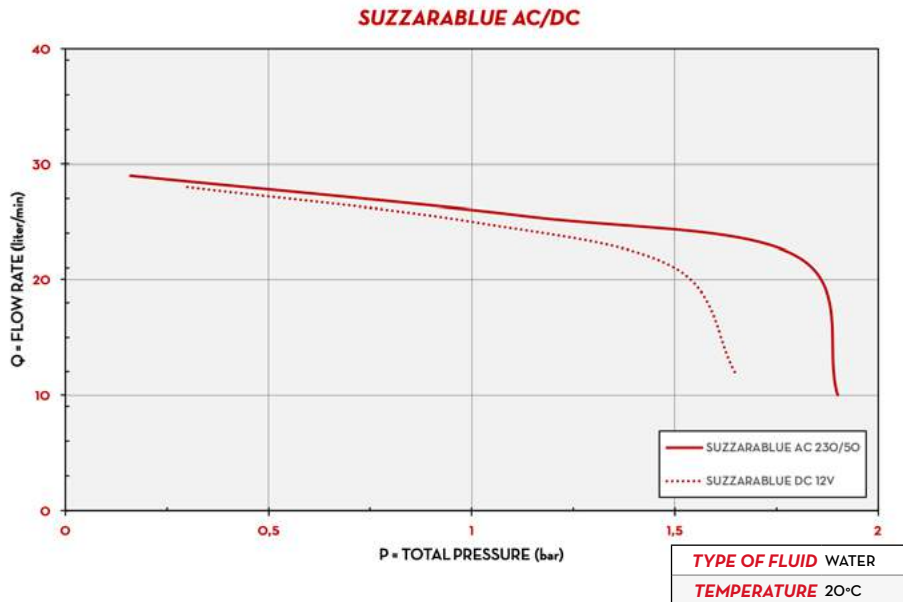


WATER

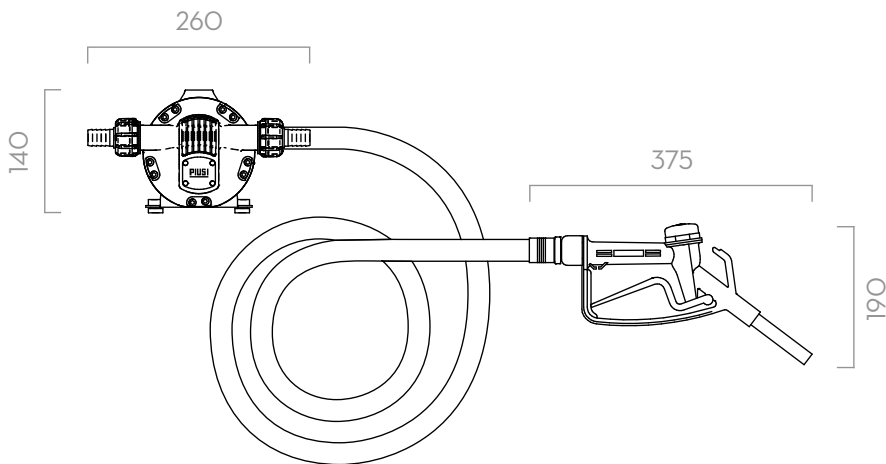


WINDSCREEN

CHART



DIMENSIONS



Dimensions expressed in millimeters

IN THE BOX

- SUZZARABLU PUMP AC/DC
- MANUAL NOZZLE
- FOOT VALVE
- SUCTION/DELIVERY HOSE
- INSTRUCTION MANUAL

DETAILS



MANUAL NOZZLE



FOOT VALVE



CLAMPS

COMPONENTS

- **PUMP:**
SUZZARABLU PUMP AC PAG. 70
SUZZARABLU PUMP DC PAG. 72
- **NOZZLE:**
SUZZARABLU MANUAL NOZZLE PAG. 120

TECHNICAL DATA

CODE	DESCRIPTION	FLUIDS TYPE	FLOW RATE		VOLTAGE			NOZZLE	HOSE		ON/OFF
			L/MIN	GPM	AC V/HZ DC VOLT	POWER WATT	AMP. MAX.		LENGHT	Ø	
FO0201AAA	SUZZARABLU KIT 12V		35	9,2	12	260	22	MANUAL	6 M	3/4"	YES
FO0201C7A	SUZZARABLU KIT 230 V		32	8,5	230/50	400	1,95	MANUAL	6 M	3/4"	YES

SUZZARABLU PORTABLE KIT