



CAR FILLING



FUEL MANAGEMENT SYSTEMS



KITS



PUMPS



METERS



METERED NOZZLES

# 3D FILTER

## FEATURES

- 3-STEP FILTRATION
- HI-RESISTANCE CASE
- REMOVABLE CARTRIDGE
- TRANSPARENT CONTAINER

The PIUSI 3D FILTER is specifically designed to prevent the contamination of AdBlue® during transferring operation. Thanks to the highly efficient (β 200) mechanical filtration, it allows an extended life of the catalyst.

## PERFORMANCE

**200 μ**

FILTERING CAPACITY

**4 BAR**

MAX

OPERATING PRESSURE



3D FILTER



## PACKAGING

CODE	WEIGHT			PACKAGING		
	A MM.	B MM.	C MM.	WEIGHT KG.	DIMENSION MM.	FILTER HEAD PCS/BOX
FOO611D30	136	107	140	0,6	200X120X140	166X144X85
FOO611D40	104	70	104	0,2	166X144X85	-



NOZZLES



FILTRATION



TANK MONITORING



HOSE REEL



ACCESSORIES



MERCHANDISE



AIR



ANTIFREEZE



AdBlue®



BIODIESEL



DIESEL



FOOD



GASOLINE



GREASE



KEROSENE



OIL



WATER

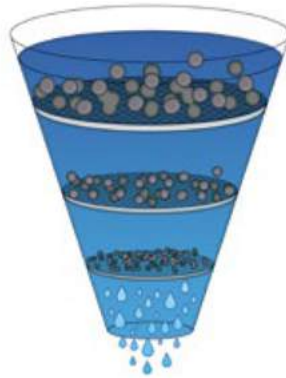


WINDSCREEN

## FUNCTIONING



Typical condition of the filter after 3650 liters dispensed. We recommend changing the filter cartridge once a year.



High efficiency ( $\beta 200$ ) mechanical filtration of particulate by means of an incremental filter specifically developed for AdBlue®.

## IN THE BOX

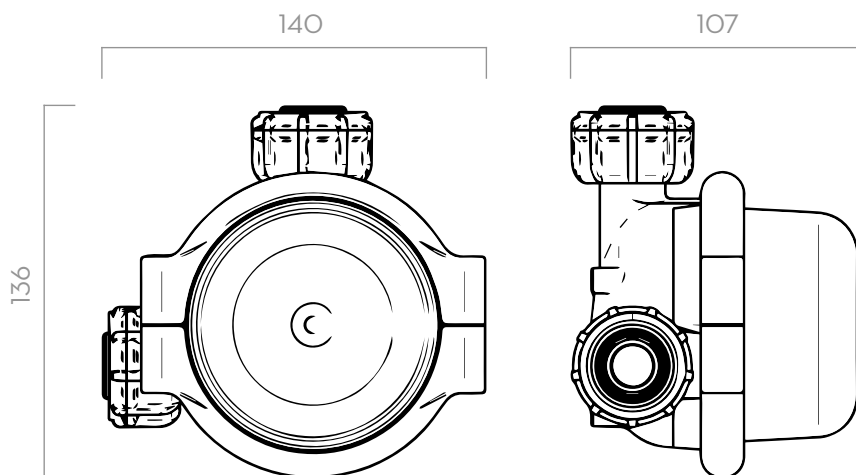
- 3D FILTER
- INSTRUCTION MANUAL

## DETAILS



3D FILTER CARTRIDGE

## DIMENSIONS



Dimensions expressed in millimeters

## MATERIALS

- BODY: TECHNOPOLYMER
- CARTRIDGE: POLYPROPYLENE

## TECHNICAL DATA

CODE	DESCRIPTION	FLUIDS TYPE	FLOW RATE		INLET/OUTLET	WATER ABSORBING	EFFICIENCY	MICRO	PRESSION
			L/MIN	GPM					
FOO611D30	CLEAR 3D FILTER + HOUSING		40	10,5	1"	-	200	70	4
FOO611D40	PIUSI CLEAR 3D FILTER/CARTRIDGE		-	-	-	-	-	-	-

## 3D FILTER