

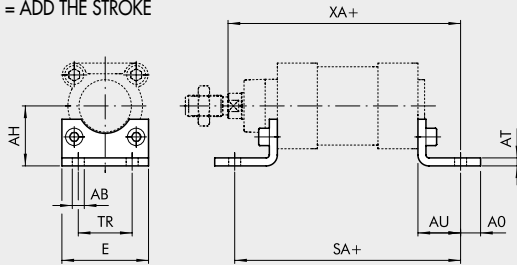
ACCESSORIES FOR ISO 15552 STD, TYPE A, SERIES 3, TWO-FLAT:



FIXINGS

FOOT - MODEL A

+ = ADD THE STROKE

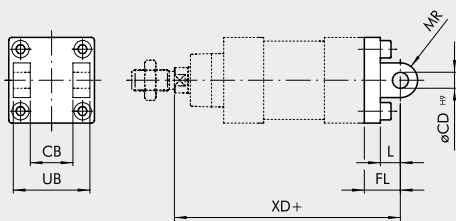


Code	Ø	Ø AB	AH	AO	AT	AU	TR	E	XA	SA	Weight [g]
W0950322001	32	7	32	11	4	24	32	45	144	142	76
W0950402001	40	9	36	15	4	28	36	52	163	161	100
W0950502001	50	9	45	15	4	32	45	65	175	170	162
W0950632001	63	9	50	15	6	32	50	75	190	185	266
W0950802001	80	12	63	20	6	41	63	95	215	210	456
W0951002001	100	14	71	25	6	41	75	115	230	220	572
W0951252001	125	16	90	15	7	45	90	140	270	250	1130

Note: Individually packed with 2 screws

FEMALE HINGE - MODEL B

+ = ADD THE STROKE

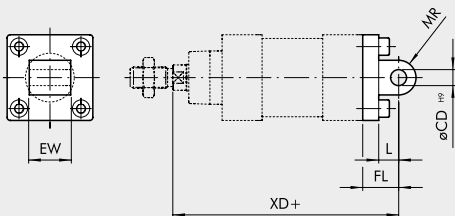


Code	Ø	UB	CB	FL	øCD	XD	MR	L	Weight [g]
W0950322003	32	45	26	22	10	142	10	12	116
W0950402003	40	52	28	25	12	160	12	15	160
W0950502003	50	60	32	27	12	170	12	15	252
W0950632003	63	70	40	32	16	190	16	20	394
W0950802003	80	90	50	36	16	210	16	20	670
W0951002003	100	110	60	41	20	230	20	25	1085
W0951252003	125	130	70	50	25	275	25	30	2000

Note: Supplied with 4 screws, 4 washers, 2 snap-rings, 1 pin

MALE HINGE - MODEL BA

+ = ADD THE STROKE

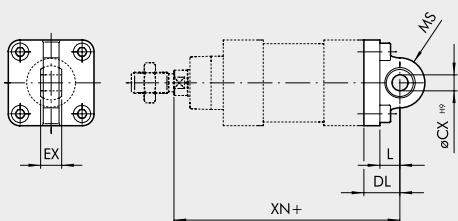


Code	Ø	EW	FL	MR	øCD	L	XD	Weight [g]
W0950322004	32	26	22	11	10	12	142	94
W0950402004	40	28	25	13	12	15	160	124
W0950502004	50	32	27	13	12	15	170	220
W0950632004	63	40	32	17	16	20	190	316
W0950802004	80	50	36	17	16	20	210	578
W0951002004	100	60	41	21	20	25	230	850
W0951252004	125	70	50	26	25	30	275	1590

Note: Supplied with 4 screws

ARTICULATED MALE HINGE - MODEL BAS

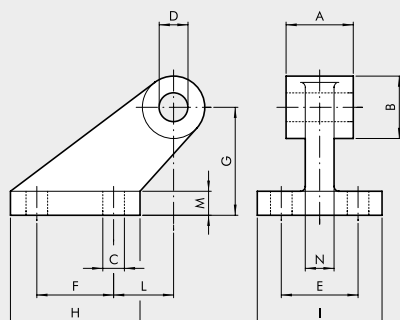
+ = ADD THE STROKE



Code	Ø	DL	MS	L	XN	øCX	EX	Weight [g]
W0950322006	32	22	16	12	142	10	14	106
W0950402006	40	25	18	15	160	12	16	142
W0950502006	50	27	21	15	170	12	16	236
W0950632006	63	32	23	20	190	16	21	336
W0950802006	80	36	28	20	210	16	21	572
W0951002006	100	41	30	25	230	20	25	840
W0951252006	125	50	40	30	275	25	31	1520

Note: Supplied with 4 screws

CETOP HINGE FOR MODEL B - MODEL GI



Code	Ø	A	B	C	D	E	F	G	H	I	L	M	N	Weight [g]
W0950322008	32	26	19	7	10	25	20	32	37	41	18	8	10	96
W0950402008	40	28	26	9	12	32	32	45	54	52	25	10	12	216
W0950502008	50	32	26	9	12	32	32	45	54	52	25	10	12	212
W0950632008	63	40	33	11	16	40	50	63	75	63	32	12	15	440
W0950802008	80	50	33	11	16	40	50	63	75	63	32	12	15	464
W0951002008	100	60	44	14	20	50	70	90	103	80	40	16	22	985
W0951252008	125	70	44	14	25	50	70	90	103	80	40	16	22	1000

Note: Supplied with 4 screws, 4 washers