



8

BALL VALVES

Normac[®]

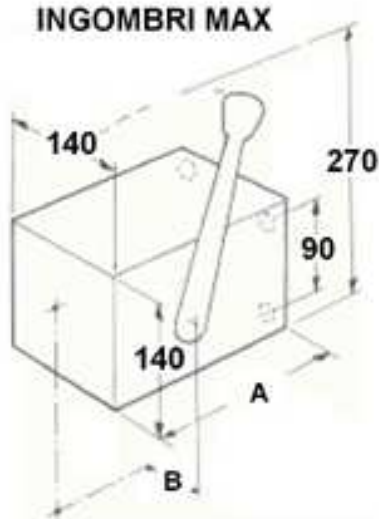
Item
 25.42.00 – 25.42.02 – 25.53.00 – 25.53.01



3" DELIVERY AND INTERCEPTION BALL VALVE

Description: delivery and interception ball valve suitable for unloading by gravity operations for fuel products tanks.

COMPLIANT TO THE RELEVANT STANDARDS



Technical Data					
Specifications	25.42.00	25.42.02	25.53.00	25.53.01	
body valve	Aluminium	Aluminium	Aluminium	Aluminium	
valve function	delivery	delivery	interception	interception	
outlet connection	3" gas	3" gas	4 holes Ø14 mm on 90 mm square	4 holes Ø14 mm on 90 mm square 90	
inlet connection	4 holes Ø14 mm on 90 mm square	4 holes Ø14 mm on 90 mm square	4 holes Ø14 mm on 90 mm square	4 holes Ø14 mm on 90 mm square	
flow-sight window	yes	yes	not	not	
pivot pin	90 °	90 °	90 °	360 °	
A dimension	246 mm	205 mm	160 mm	160 mm	
B dimension	100 mm	100 mm	115 mm	106 mm	
weight	4,3 kg	4,9 kg	4 kg	3,7 kg	

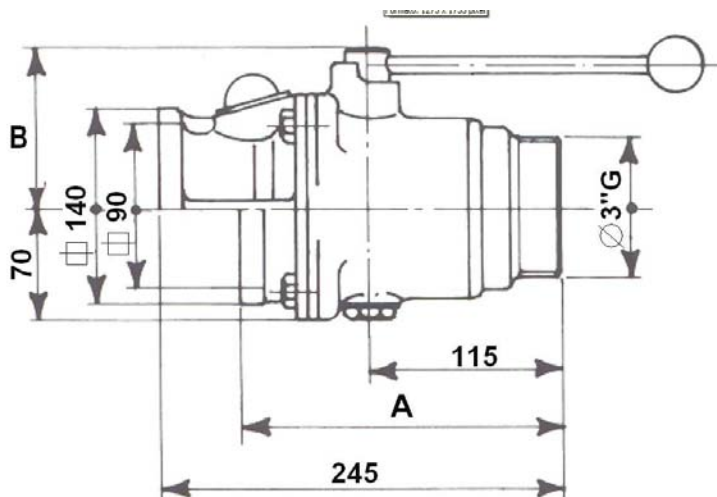
Item
25.40.00 – 25.40.50 – 25.46.00 – 25.41.00



3" DELIVERY BALL VALVE

Description: delivery ball valve suitable for unloading by gravity operations for fuel products tanks.

COMPLIANT TO THE RELEVANT STANDARDS



Technical Data

Specifications	25.40.00	25.40.50	25.46.00	25.41.00	25.41.50
body valve	Aluminium	Aluminium	Aluminium	Aluminium	Aluminium
valve function	delivery	delivery	delivery	delivery	delivery
outlet connection	3" gas	3" gas	3" gas	3" gas Bronze	3" gas Bronze
inlet connection	4 holes Ø14 mm on 90 mm square	4 holes Ø14 mm on 90 mm square	8 holes Ø11 mm on 130 mm square	4 holes Ø14 mm on 90 mm square	4 holes Ø14 mm on 90 mm square
flow-sight window	not	yes	yes	yes	yes
pivot pin	90 °	90 °	90 °	90 °	90 °
A dimension	195 mm	245 mm	240 mm	195 mm	195 mm
B dimension	100 mm	100 mm	85 mm	100 mm	100 mm
weight	3,8 kg	4,3 kg	4,3 kg	4,3 kg	4,5 kg

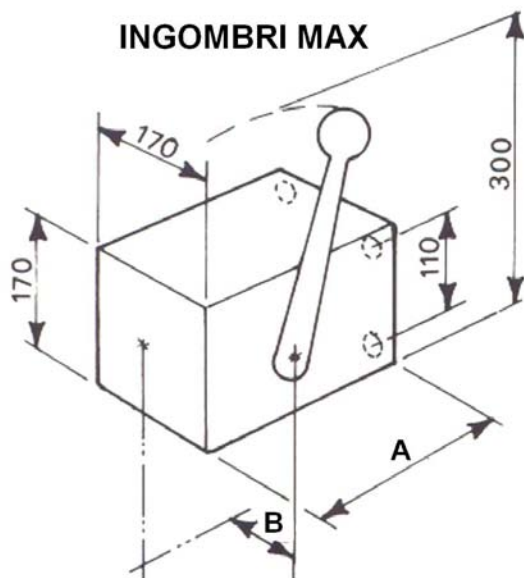
Item
25.43.00 – 25.43.10 – 25.43.50 – 25.54.00



4" DELIVERY AND INTERCEPTION BALL VALVE

Description: delivery and interception ball valve suitable for unloading by gravity operations for fuel products tanks.

COMPLIANT TO THE RELEVANT STANDARDS



Technical Data						
Specifications	25.43.00	25.43.10	25.43.50	25.44.00	25.54.00	
body valve	Aluminium	Aluminium	Aluminium	Aluminium	Aluminium	
valve function	delivery	delivery	delivery	delivery	interception	
outlet connection	4" gas bronze	4" body bronze	4" gas	4" gas	4 holes Ø14 mm on 110 mm square	
inlet connection	4 holes Ø14 mm on 110 mm square	4 holes Ø14 mm on 110 mm square	4 holes Ø14 mm on 110 mm square	4 holes Ø14 mm on 110 mm square	4 holes Ø14 mm on 110 mm square	
flow-sight window	not	not	not	yes	not	
pivot pin	90 °	90 °	90 °	90 °	90 °	
A dimension	215 mm	225 mm	220 mm	245 mm	180 mm	
B dimension	120 mm	120 mm	120 mm	120 mm	120 mm	
weight	6,5 kg	6,7 kg	6,2 kg	6,2 kg	5,8 kg	

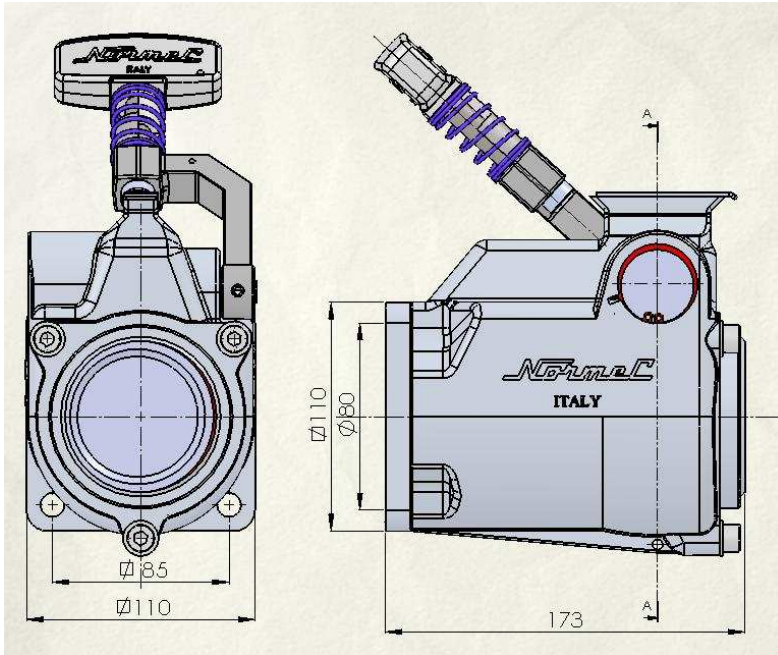
Item
85.12

NORMEC

3" DELIVERY CAP VALVE

Description: 3" delivery cap valve. It is suitable to unload by gravity for fuel products tanks.

COMPLIANT TO THE RELEVANT STANDARDS



Technical Data

Specifications	85.12.00	85.12.10	85.12.20	85.12.30	85.12.40	85.12.50	85.12.70
body valve	Aluminium	Aluminium	Aluminium	Aluminium	Aluminium	Aluminium	Aluminium
valve function	Delivery	Delivery	Delivery	Delivery	Delivery	Delivery	Delivery
outlet connection	3" gas threaded With Flow window	DN80 Symmetric coupling With Flow window	3" gas threaded Without Flow window	DN80 Symmetric coupling Without Flow window	DN65 Symmetric coupling With Flow window	2" 1/2 gas Threaded Without Flow window	DN65 Symmetric coupling Without Flow window
inlet connection	4 holes Ø12 mm on 85 mm square	4 holes Ø12 mm on 85 mm square	4 holes Ø12 mm on 85 mm square	4 holes Ø12 mm on 85 mm square	4 holes Ø12 mm on 85 mm square	4 holes Ø12 mm on 85 mm square	4 holes Ø12 mm on 85 mm square
weight	3,5 kg	3,5 kg	3,5 kg	3,5 kg	3,5 kg	3,5 kg	3,5 kg