



Schlemmer
Industry & Building Parts

INDUSTRIAL CABLE GLANDS



CABLE GLANDS
FOR HAZARDOUS AREA



www.sibadr.com

www.schlemmer.com

The background of the entire page is a close-up, high-angle photograph of several interlocking metal gears. The gears are rendered in a monochromatic blue color, matching the overall theme. The lighting creates highlights and shadows on the teeth of the gears, giving them a three-dimensional appearance. The composition is centered, with the gears filling most of the frame.

INDUSTRIAL CABLE GLANDS

- Single sealing for armoured cable
- Double sealing for armoured cable
- Heavy duty cable gland for non-armoured cable

S-CW CABLE GLANDS FOR ARMoured CABLE



SINGLE SEALING

SUITABLE FOR THE FOLLOWING CABLE TYPES :

- Single wire cable (SWA)
- Steel wire braid cable (SWB)
- Steel tape cable (STA)

IP PROTECTION : IP 66, IP 68

OPERATING TEMPERATURE :
-40°C / +100°C (neoprene sealing)

SPECIAL FEATURES :

- EMC tested
- Deluge protection: O-ring included ①
- Detachable clamping ring ②
- O-Ring on entry thread

MATERIAL :

Brass, nickel-plated brass, stainless steel (on request)

THREAD :

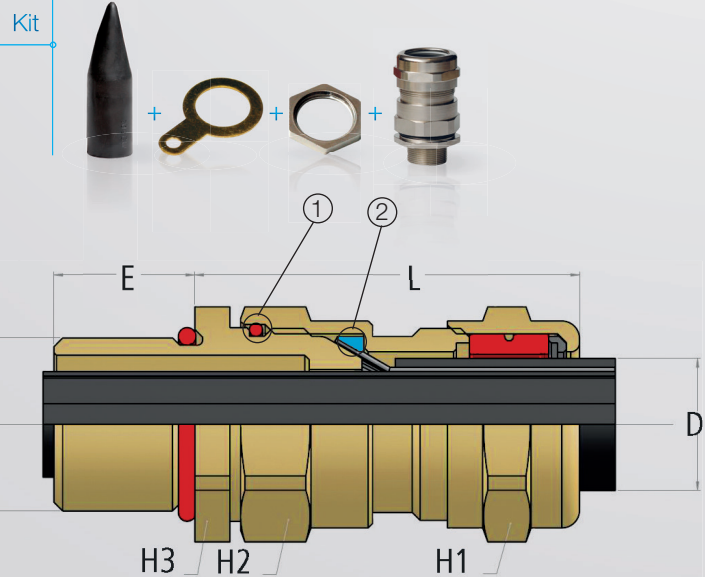
Metric – NPT (other thread on request)

CERTIFICATIONS & COMPLIANCES :

IEC 62444

ACCESSORIES AVAILABLE :

- Available Cable gland only or kit : CG, earth tag, locknut, shroud
- Option : serrated washers



Cable gland size	Metric (T)	Part Number		Max. armour thickness	Overall cable diameter (D)		Across flats (H1)	Across flats (H2)	Across flats (H3)	Thread length (E)	Net length (L)	Weight (Kgs)	Kit
		Brass	Nickel Plated		Min	Max							Brass
12S	M12	GB121001E	GB121002E	1,00	7	12	20	22	20	16	40	0,073	KB121001E
16S	M16	GB161001E	GB161002E	1,00	7	12	20	22	20	16	40	0,084	KB161001E
16L	M16	GB161001F	GB161002F	1,25	9	16	24	24	24	16	43	0,090	KB161001F
20XS	M20	GB201001E	GB201002E	1,00	7	12	20	22	22	16	40	0,104	KB201001E
20S	M20	GB201001F	GB201002F	1,25	9	16	24	24	24	16	43	0,106	KB201001F
20L	M20	GB201001G	GB201002G	1,25	13	21	30	30	30	16	49	0,247	KB201001G
25XS	M25	GB251001F	GB251002F	1,25	9	16	24	24	28	16	43	0,135	KB251001F
25S	M25	GB251001G	GB251002G	1,25	13	21	30	30	30	16	49	0,166	KB251001G
25L	M25	GB251001H	GB251002H	1,60	17	27,5	40	40	40	16	60	0,314	KB251001H
32S	M32	GB321001H	GB321002H	1,60	17	27,5	40	40	40	16	60	0,363	KB321001H
32L	M32	GB321001J	GB321002J	2,00	22	34	48	48	48	16	67	0,468	KB321001J
40S	M40	GB401001J	GB401002J	2,00	22	34	48	48	48	16	67	0,528	KB401001J
40L	M40	GB401001K	GB401002K	2,00	28	41	55	55	55	16	70	0,617	KB401001K
50S	M50	GB501001K	GB501002K	2,00	28	41	55	55	55	16	70	0,712	KB501001K
50L	M50	GB501001L	GB501002L	2,50	34	48	64	64	64	16	79	0,965	KB501001L
63S	M63	GB631001M	GB631002M	2,50	39	54	70	70	70	16	84	1,168	KB631001M
63L	M63	GB631001N	GB631002N	2,50	48	65	85	85	85	16	94	1,805	KB631001N
75S	M75	GB751001N	GB751002N	2,50	48	65	85	85	85	18	94	1,771	KB751001N
75L	M75	GB751001P	GB751002P	2,50	55	74	95	95	95	18	102	2,330	KB751001P
80S	M80	GB801001P	GB801002P	2,50	55	74	95	95	95	20	102	2,450	KB801001P
80L	M80	GB801001Q	GB801002Q	3,15	65	83	110	110	110	20	113	3,530	KB801001Q
90S	M90	GB901001Q	GB901002Q	3,15	65	83	110	110	110	22	113	3,785	KB901001Q
90L	M90	GB901001R	GB901002R	3,15	74	93	120	120	120	22	113	3,999	KB901001R
100S	M100	GB991001R	GB991002R	3,15	74	93	120	120	120	22	113	3,896	KB991001R

Dimension in millimeters

S-E1W CABLE GLANDS FOR ARMoured CABLE

DOUBLE SEALING

SUITABLE FOR THE FOLLOWING CABLE TYPES :

- Single wire cable (SWA)
- Steel wire braid cable (SWB)
- Steel tape cable (STA)

IP PROTECTION : IP 66, IP 68

OPERATING TEMPERATURE :
-40°C / +100°C (neoprene sealing)

SPECIAL FEATURES :

- EMC tested
- Deluge protection: O-ring included ①
- Detachable clamping ring ②
- O-Ring on entry thread

MATERIAL :

Brass, nickel-plated brass, stainless steel (on request)

THREAD :

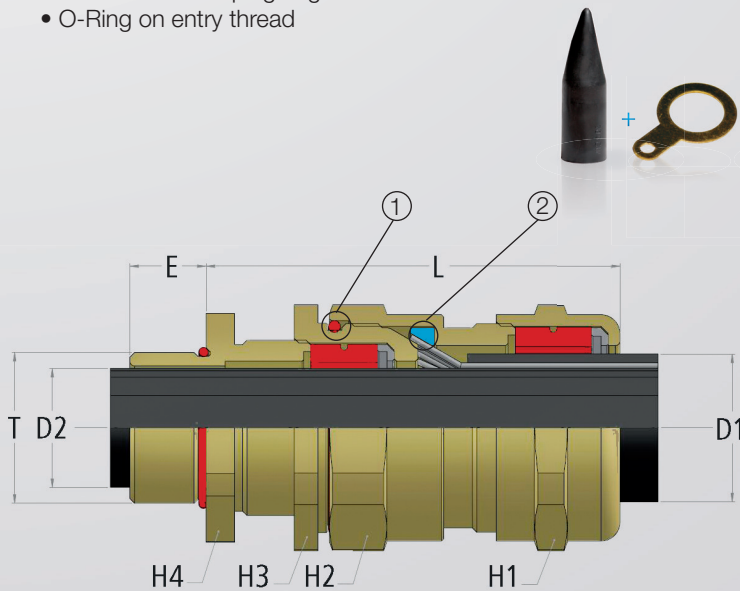
Metric – NPT (other thread on request)

CERTIFICATIONS & COMPLIANCES :

IEC 62444

ACCESSORIES AVAILABLE :

- Available Cable gland only or kit : CG, earth tag, locknut, shroud
- Option: serrated washers



Kit



Cable gland size	Metric (T)	Part Number		Max. armour thickness	Overall cable diameter (D1)		Cable bedding diameter (D2)		Across flats (H1)	Across flats (H2)	Across flats (H3)	Across flats (H4)	Thread length (E)	Net length (L)	Weight (Kgs)	Kit
		Brass	Nickel Plated		Min	Max	Min	Max								Brass
12S	M12	GB121003E	GB121004E	1,00	7,0	12,0	4,0	7,0	20	20	20	18	16	51	0,073	KB121002E
16S	M16	GB161003E	GB161004E	1,00	7,0	12,0	4,0	8,0	20	20	20	20	16	51	0,083	KB161002E
16L	M16	GB161003F	GB161004F	1,25	9,0	16,0	6,0	12,0	24	24	24	18	16	45	0,104	KB161002F
20XS	M20	GB201003E	GB201004E	1,00	7,0	12,0	4,0	8,0	20	20	20	24	16	51	0,087	KB201002E
20S	M20	GB201003F	GB201004F	1,25	9,0	16,0	6,0	12,0	24	24	24	24	16	55	0,121	KB201002F
20L	M20	GB201003G	GB201004G	1,25	13,0	21,0	8,5	15,0	30	30	30	28	16	56	0,160	KB201002G
25XS	M25	GB251003F	GB251004F	1,25	9,0	16,0	6,0	12,0	24	24	24	28	16	55	0,122	KB251002F
25S	M25	GB251003G	GB251004G	1,25	13,0	21,0	8,5	15,5	30	30	30	30	16	56	0,183	KB251002G
25L	M25	GB251003H	GB251004H	1,60	17,0	27,5	12,0	19,5	40	40	40	36	16	73	0,340	KB251002H
32S	M32	GB321003H	GB321004H	1,60	17,0	27,5	12,0	20,5	40	40	40	40	16	73	0,379	KB321002H
32L	M32	GB321003J	GB321004J	2,00	22,0	34,0	16,0	25,5	48	48	48	44	16	79	0,510	KB321002J
40S	M40	GB401003J	GB401004J	2,00	22,0	34,0	16,0	27,5	48	48	48	48	16	79	0,570	KB401002J
40L	M40	GB401003K	GB401004K	2,00	28,0	41,0	21,0	33,0	55	55	55	50	16	84	0,669	KB401002K
50S	M50	GB501003K	GB501004K	2,00	28,0	41,0	21,0	34,0	55	55	55	55	16	84	0,768	KB501002K
50L	M50	GB501003L	GB501004L	2,50	34,0	48,0	27,0	41,0	64	64	64	64	16	94	0,980	KB501002L
63S	M63	GB631003M	GB631004M	2,50	39,0	54,0	33,0	46,0	70	70	70	70	16	96	1,274	KB631002M
63L	M63	GB631003N	GB631004N	2,50	48,0	65,0	40,0	54,0	90	85	85	80	16	112	2,183	KB631002N
75S	M75	GB751003N	GB751004N	2,50	48,0	65,0	40,0	54,0	90	85	85	85	18	110	2,343	KB751002N
75L	M75	GB751003P	GB751004P	2,50	55,0	74,0	47,0	65,0	100	95	95	90	18	122	2,759	KB751002P
80S	M80	GB801003P	GB801004P	2,50	55,0	74,0	47,0	65,0	100	95	95	95	20	120	2,926	KB801002P
80L	M80	GB801003Q	GB801004Q	3,15	65,0	83,0	54,0	71,0	125	110	110	100	20	131	4,001	KB801002Q
90S	M90	GB901003Q	GB901004Q	3,15	65,0	83,0	54,0	74,0	125	110	110	110	22	129	4,273	KB901002Q
90L	M90	GB901003R	GB901004R	3,15	74,0	93,0	63,0	79,0	125	120	120	110	22	129	4,264	KB901002R
100S	M100	GB991003R	GB991004R	3,15	74,0	93,0	63,0	82,0	125	120	120	120	22	129	4,515	KB991002R

Dimension in millimeters

INDUSTRIAL CABLE GLANDS

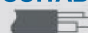
6

WADI-MAX CABLE GLAND FOR NON-ARMOURED CABLE



HEAVY DUTY CABLE GLAND

SUITABLE FOR THE FOLLOWING CABLE TYPES :

 Non-armoured cable

IP PROTECTION :

IP 66, IP 68

OPERATING TEMPERATURE :

- Neoprene : -40°C to +100°C
- Viton : -20°C to +200°C

SPECIAL FEATURES :

- M72 thread available
- Large range (M12 to M110)
- Extra-large clamping range
- Increased strain relief
- O-Ring on entry thread
- Anti-twisting ring

MATERIAL :

- Nickel-plated brass, stainless steel
- O-ring : nitril

THREAD :

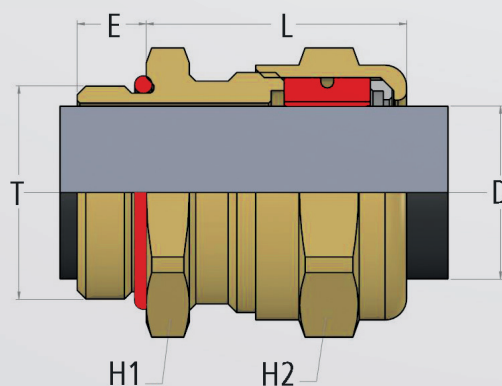
Metric (other thread on request)

CERTIFICATIONS & COMPLIANCES :

IEC 62444

ACCESSORIES AVAILABLE :

See page Accessories



Cable gland size	Metric (T)	Part Number		Overall cable diameter (D)		Across flats (H1)	Across flats (H2)	Thread length (E)	Net length (L)	Weight (Kgs)
		Brass nickel plated	Stainless steel	Min	Max					
12S	M 12	C1504112	C1804112	4,0	8,0	17	17	7,0	26,0	0,031
16S	M 16	C1504116	C1804116	4,0	8,0	20	17	7,0	26,0	0,034
16L	M 16	C1505116	C1805116	7,0	12,0	20	20	7,0	23,0	0,034
20S	M 20	C1506120	C1806120	9,0	16,0	24	24	7,0	27,0	0,043
25S	M 25	C1506125	C1806125	9,0	16,0	28	24	8,0	27,0	0,043
25L	M 25	C1507125	C1807125	13,0	20,5	30	30	8,0	28,0	0,074
32S	M 32	C1507133	C1807133	13,0	21,0	36	30	8,5	28,0	0,100
32L	M 32	C1508132	C1808132	16,0	27,0	40	40	8,5	45,0	0,160
40S	M 40	C1509140	C1809140	21,0	34,0	48	48	8,5	51,0	0,234
50S	M 50	C1510150	C1810150	28,0	41,0	55	55	9,5	56,0	0,304
63S	M 63	C1511163	C1811163	34,0	47,5	65	64	10,5	66,0	0,491
63L	M 63	C1512163	C1812163	39,0	54,0	70	70	10,5	68,0	0,462
72S	M 72	C1513172	C1813172	48,0	64,0	85	85	11,5	82,0	0,860
75S	M 75	C1513175	C1813175	48,0	65,0	85	85	11,5	82,0	0,907
80S	M 80	C1514180	C1814180	55,0	74,0	95	100	12,0	92,0	1,243
90S	M 90	C1515190	C1815190	65,0	83,0	110	125	12,0	101,0	1,900
100S	M 100	C1516199	C1816199	74,0	93,0	120	125	12,0	101,0	2,200
110S	M 110	C1517110	C1817110	74,0	93,0	120	125	12,0	101,0	2,683

Dimension in millimeters

A large industrial facility, possibly a refinery or chemical plant, is silhouetted against a bright orange and yellow sunset sky. The facility features numerous tall distillation columns, complex piping, and scaffolding. In the foreground, there is a body of water reflecting the warm light of the setting sun. The overall scene is bathed in a golden glow, creating a dramatic and industrial atmosphere.

CABLE GLANDS FOR HAZARDOUS AREA

- Single sealing for non-armoured cable
- Double sealing for armoured cable
- Nylon SIB-TEC Ex e

S-1F CABLE GLAND FOR NON-ARMOURED CABLE



Ex d; Ex e; Ex t SINGLE SEALING

SUITABLE FOR THE FOLLOWING CABLE TYPES :

Non-armoured cable

IP PROTECTION : IP 66, IP 68

OPERATING TEMPERATURE :

- Neoprene : -60°C to +80°C
- Viton : -20°C to +200°C (on request)
- Graphite washer : -200°C to +450°C

SPECIAL FEATURES :

Explosion proof sealing on external sheath

MATERIAL :

Brass, nickel-plated brass, stainless steel

THREAD :

Metric, NPT (other thread on request)

TECHNICAL SPECIFICATIONS :

- Equipment group : IIC et IIIC
- Category : 2
- Atmosphere : G & D
- Zones : 1,2, 21, 22

CODE OF PROTECTION :

II 2 G D Ex db IIC / Ex eb IIC Ex tb IIIC

CERTIFICATIONS & COMPLIANCES :

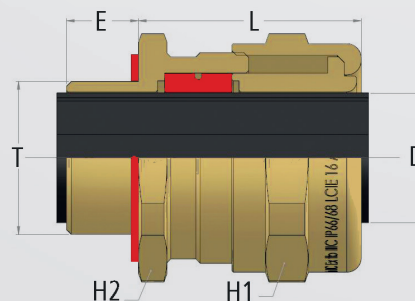
- EN/IEC 60079-0
- EN/IEC 60079-1
- EN/IEC 60079-7
- EN/IEC 60079-31
- LCIE 16 ATEX 3030 X
- IECEx LCIE 16.0026X
- BVC16.5800-X
- CE17.5010X

UL CLASSIFICATION :

- Classe I Div.1 & 2, Zone 1 & 2, Groupes A,B,C & D
- Classe II/III Div.1 & 2, Zone 21 & 22, Groupes E, F & G

ACCESSORIES AVAILABLE :

- Earth tag, Locknut, Shroud (see page Accessories)
- Kit available on request



Metric Cable gland size	Metric (T)	Metric Part Number	Metric thread length (E)	NPT Cable gland size	NPT (T)	NPT Part Number	NPT thread length (E)	Overall cable diameter (D)		Across flats (H1)	Across flats (H2)	Net length (L)	Metric Weight (Kg)	NPT Weight (Kg)
								Min	Max					
12S	M12	47 04 12 1	15	1/4	1/4"	47 04 06 1	16	5,0	7,5	20	20	29,7	0,049	0,055
16S	M16	47 04 16 1	15	3/8	3/8"	47 04 08 1	16	5,0	7,5	20	20	29,7	0,060	0,060
-	-	-	-	1/2	1/2"	47 04 15 1	20	5,0	7,5	20	24	29,7	-	0,077
16L	M16	47 05 16 1	15	3/8	3/8"	47 05 08 1	16	7,0	11,5	24	24	31,9	0,065	0,068
20S	M20	47 05 20 1	15	1/2	1/2"	47 05 15 1	20	7,0	11,5	24	24	31,9	0,080	0,082
20L	M20	47 06 20 1	15	1/2	1/2"	47 06 15 1	20	11,0	15,5	30	30	33,2	0,105	0,114
25XS	M25	47 05 25 1	15	3/4	3/4"	47 05 17 1	21	7,0	11,5	24	28	31,9	0,089	0,105
25S	M25	47 06 25 1	15	3/4	3/4"	47 06 17 1	21	11,0	15,5	30	30	33,2	0,116	0,131
25L	M25	47 07 25 1	15	3/4	3/4"	47 07 17 1	21	13,0	20,0	40	40	39,5	0,221	0,244
32S	M32	47 07 32 1	15	1	1"	47 07 28 1	25	13,0	20,0	40	40	39,5	0,242	0,278
32L	M32	47 08 32 1	15	1	1"	47 08 28 1	25	19,0	27,0	48	48	47,0	0,351	0,368
40S	M40	47 08 40 1	15	1-1/4	1" 1/4"	47 08 35 1	26	19,0	27,0	48	48	47,0	0,370	0,413
40L	M40	47 09 40 1	15	1-1/4	1" 1/4"	47 09 35 1	26	22,0	33,5	55	55	52,0	0,475	0,525
50S	M50	47 09 50 1	15	1-1/2	1" 1/2"	47 09 41 1	26	22,0	33,5	55	55	52,0	0,515	0,550
50L	M50	47 10 50 1	15	1-1/2	1" 1/2"	47 10 41 1	26	29,0	40,5	64	64	53,5	0,650	0,650
63S	M63	47 11 63 1	15	2	2"	47 11 47 1	27	35,0	47,5	70	70	55,0	0,830	0,870
63L	M63	47 12 63 1	15	2	2"	47 12 47 1	27	40,0	54,0 (NPT 52,5)	90	90	61,0	1,480	1,520
75S	M75	47 12 75 1	15	2-1/2	2" 1/2"	47 12 52 1	40	40,0	54,0 (NPT 52,5)	90	90	61,0	1,550	1,680
75L	M75	47 13 75 1	15	2-1/2	2" 1/2"	47 13 52 1	40	48,0	64,5 (NPT 63,5)	100	100	69,0	1,935	2,090
80S	M80	47 13 80 1	20	-	-	-	-	48,0	64,5	100	100	64,0	1,990	-
80L	M80	47 14 80 1	20	-	-	-	-	55,0	73,5	115	115	80,0	3,100	-
90S	M90	47 14 90 1	20	3	3"	47 14 57 1	42	55,0	73,5	115	115	80,0	3,300	3,450
90L	M90	47 15 90 1	20	3	3"	47 15 57 1	42	65,0	82,5 (NPT 78,5)	125	125	82,0	3,575	3,950
100S	M100	47 15 99 1	20	3-1/2	3" 1/2"	47 15 58 1	43	65,0	82,5 (NPT 78,5)	125	125	82,0	3,825	4,050
100L	M100	47 16 99 1	20	3-1/2	3" 1/2"	47 16 58 1	43	74,0	92,5 (NPT 89)	140	140	87,0	4,650	4,780

Dimension in millimeters

S-4F CABLE GLAND FOR ARMOURED CABLE

Ex d; Ex e; Ex t DOUBLE SEALING

SUITABLE FOR THE FOLLOWING CABLE TYPES :

- Single wire cable (SWA)
- Steel wire braid cable (SWB)
- Steel tape cable (STA)

IP PROTECTION : IP 66, IP 68

OPERATING TEMPERATURE :

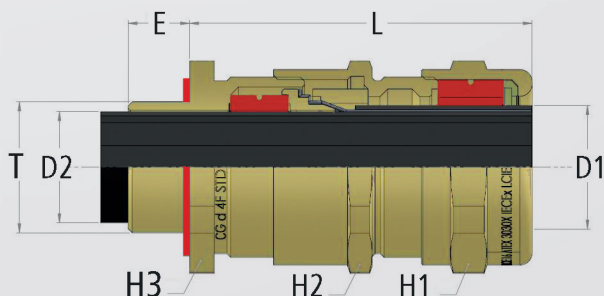
- Neoprene : -60°C to +80°C
- Viton : -20°C to +200°C (on request)
- Graphite washer : -200°C to +450°C

SPECIAL FEATURES :

- EMC tested
- Increased strain relief
- Detachable grounding device
- Sealing on external cable sheath
- Explosion proof sealing on internal sheath
- Deluge proof option for armour protection

MATERIAL :

Brass, nickel-plated brass, stainless steel



THREAD :

Metric, NPT (other thread on request)

TECHNICAL SPECIFICATIONS :

- Equipment group : IIC et IIIC
- Category : 2
- Atmosphere : G & D
- Zones : 1,2, 21, 22

CODE OF PROTECTION :

II 2 G D Ex db IIC / Ex eb IIC Ex tb IIIC

CERTIFICATIONS & COMPLIANCES :

- EN/IEC 60079-0
- EN/IEC 60079-1
- EN/IEC 60079-7
- EN/IEC 60079-31
- LCIE 16 ATEX 3030 X
- IECEx LCIE 16.0026X
- BVC16.5800-X
- CE17.5010X

UL CLASSIFICATION :

- Classe I Div.1 & 2, Zone 1 & 2, Groupes A,B,C & D
- Classe II/III Div.1 & 2, Zone 21 & 22, Groupes E, F & G

ACCESSORIES AVAILABLE :

- Earth tag, Locknut, Shroud (see page Accessories)
- Kit available on request



Metric Cable gland size	Metric Thread (T)	Metric Part Number	Metric thread length (E)	NPT Cable gland size	NPT (T)	NPT Part Number	NPT thread length (E)	Max. armour thickness	Overall cable diameter (D1)		Cable bedding diameter (D2)		Across flats (H1)	Across flats (H2)	Across flats (H3)	Net length (L)	Metric Weight (Kg)	NPT Weight (Kg)
									Min	Max	Min	Max						
12S	M12	48 05 12 1	15	1/4	1/4"	48 05 06 1	16	1,00	7,0	11,5	4,0	8,0	20	20	20	45,0	0,071	0,076
16S	M16	48 05 16 1	15	3/8	3/8"	48 05 08 1	16	1,00	7,0	11,5	4,0	8,0	20	20	20	45,0	0,081	0,076
16L	M16	48 06 16 1	15	3/8	3/8"	48 06 08 1	16	1,25	9,0	15,5	7,0	12,0	24	24	24	47,0	0,082	0,088
20XS	M20	48 05 20 1	15	1/2	1/2"	48 05 15 1	20	1,00	7,0	11,5	4,0	8,0	20	20	24	45,0	0,088	0,092
20S	M20	48 06 20 1	15	1/2	1/2"	48 06 15 1	20	1,25	9,0	15,5	7,0	12,0	24	24	24	47,0	0,081	0,101
20L	M20	48 07 20 1	15	1/2	1/2"	48 07 15 1	20	1,25	13,0	20,0	9,5	15,5	30	30	30	52,0	0,087	0,107
25XS	M25	48 06 25 1	15	3/4	3/4"	48 06 17 1	21	1,25	9,0	15,5	7,0	12,0	24	24	28	47,0	0,124	0,149
25S	M25	48 07 25 1	15	3/4	3/4"	48 07 17 1	21	1,25	13,0	20,0	9,5	15,5	30	30	30	52,0	0,124	0,154
25L	M25	48 08 25 1	15	3/4	3/4"	48 08 17 1	21	1,60	18,0	27,0	14,0	20,5	40	40	40	68,0	0,290	0,333
32S	M32	48 08 32 1	15	1	1"	48 08 28 1	25	1,60	18,0	27,0	14,0	20,5	40	40	40	68,0	0,290	0,356
32L	M32	48 09 32 1	15	1	1"	48 09 28 1	25	2,00	23,0	33,5	17,0	27,0 (NPT 26,0)	48	48	48	80,5	0,341	0,535
40S	M40	48 09 40 1	15	1-1/4	1" 1/4	48 09 35 1	26	2,00	23,0	33,5	17,0	27,0 (NPT 26,0)	48	48	48	81,0	0,342	0,585
40L	M40	48 10 40 1	15	1-1/4	1" 1/4	48 10 35 1	26	2,00	28,0	40,5	21,0	33,5	55	55	55	82,9	0,551	0,664
50XS	M50	48 10 50 1	15	1-1/2	1" 1/2	48 10 41 1	26	2,00	28,0	40,5	21,0	33,5	55	55	55	83,0	0,580	0,687
50S	M50	48 11 50 1	15	1-1/2	1" 1/2	48 11 41 1	26	2,50	34,0	47,5	27,0	40,5	64	64	64	90,5	0,787	0,908
50L	M50	48 12 50 1	15	1-1/2	1" 1/2	48 12 41 1	26	2,50	39,0	54,0	33,0	44,0 (NPT 41,0)	70	70	75	89,0	0,960	1,094
63S	M63	48 12 63 1	15	2	2"	48 12 47 1	27	2,50	39,0	54,0	33,0	46,0 (NPT 41,0)	70	70	75	89,0	1,011	1,155
63L	M63	48 13 63 1	15	2	2"	48 13 47 1	27	2,50	48,0	64,5	40,0	54,0 (NPT 52,5)	90	85	85	100,5	1,794	1,934
75S	M75	48 13 75 1	15	2-1/2	2" 1/2	48 13 52 1	40	2,50	48,0	64,5	40,0	54,0 (NPT 52,5)	90	85	85	101,0	1,871	2,139
75L	M75	48 14 75 1	15	2-1/2	2" 1/2	48 14 52 1	40	2,50	55,0	73,5	47,0	64,5 (NPT 63,5)	100	100	100	110,0	2,370	2,670
80S	M80	48 14 80 1	20	-	-	-	-	2,50	55,0	73,5	47,0	64,5	100	100	100	105,0	2,359	-
80L	M80	48 15 80 1	20	-	-	-	-	3,15	67,0	82,5	56,0	72,0	115	110	110	114,0	3,064	-
90S	M90	48 15 90 1	20	3	3"	48 15 57 1	42	3,15	67,0	82,5	56,0	73,5 (NPT 72,0)	115	110	110	114,0	3,121	3,503
90L	M90	48 16 90 1	20	3	3"	48 16 57 1	42	3,15	82,0	92,5	71,5	80,5 (NPT 78,5)	125	125	125	116,0	3,765	4,403
100L	M100	48 16 99 1	20	3-1/2	3" 1/2	48 16 58 1	43	3,15	82,0	92,5	71,5	81,5 (NPT 78,5)	125	125	125	116,0	3,838	4,537

Dimension in millimeters

CABLE GLANDS FOR HAZARDOUS AREA

Nylon Cable Gland **SIB TEC Ex e**



IP PROTECTION : IP 66, IP 68

OPERATING TEMPERATURE :

- M12 : -20°C to +80°C
- M16 to M63 & NPT : - 35°C to +95°C

SPECIAL FEATURES :

Flat seal on metric thread, version with reduced sealing

MATERIAL :

- Gland : PA66 / PA6 (UL 94-V2)
- Flat seal : Neoprene

THREAD :

Metric, NPT (other thread on request)

TECHNICAL SPECIFICATIONS :

- Equipment group : IIC/IIIC
- Category : 2 & 3
- Atmosphere : G & D
- Zones : 1, 2, 21, 22

CODE OF PROTECTION :

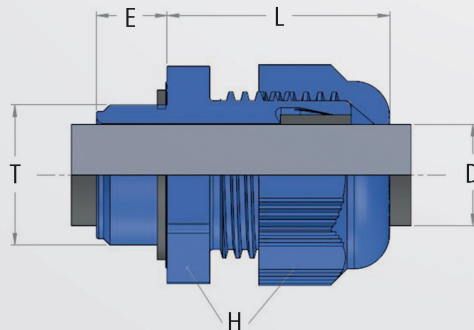
Ex II 2 GD Ex eb IIC Ex tb IIIC

CERTIFICATIONS & COMPLIANCES :

- EN / IEC 60079-0 + A11
- EN / IEC 60079-7
- EN / IEC 60079-31
- VDE (metric) : 40046804
- UL : E184471
- ATEX : LCIE 07 ATEX 6082 X
- IECE x : LCI 10.0008 X
- INMETRO : BVC11.0661-X
- TR CU EX : RU C-FR.ГБ05.В.00955

ACCESSORIES AVAILABLE :

Locknut



	Cable gland size	Metric (T)	Part Number		Overall cable diameter (D)		Across flats (H)	Thread length (E)	Net length (L)	Weight (Kg)		Cable gland size	Part Number		Net length (L)	Weight (Kg)				
			BLACK 9005	BLUE 5012	Min	Max							BLACK 9005	BLUE 5012						
Short thread Metric standard	12	M12	F802 1200E	F742 1200E	4	6,5	15	8	24	0,003	Long thread Metric standard	L12	F803 1200E	F743 1200E	15	0,004				
	16S	M16	F802 1650E	F742 1650E	5	8	19	10	27	0,007		L16S	F803 1650E	F743 1650E	15	0,008				
	16L	M16	F802 1600E	F742 1600E	5	10	22	10	29	0,008		L16L	F803 1600E	F743 1600E	15	0,008				
	20S	M20	F802 2050E	F742 2050E	7	12	24	10	30	0,012		L20S	F803 2050E	F743 2050E	15	0,010				
	20L	M20	F802 2000E	F742 2000E	10	14	27	10	33	0,013		L20L	F803 2000E	F743 2000E	15	0,012				
	25S	M25	F802 2550E	F742 2550E	10	14	27	10	35	0,014		L25S	F803 2550E	F743 2550E	15	0,015				
	25L	M25	F802 2500E	F742 2500E	12	18	33	10	39	0,021		L25L	F803 2500E	F743 2500E	15	0,022				
	32S	M32	F802 3200E	F742 3200E	16	25	42	10	42	0,034		L32S	F803 3200E	F743 3200E	15	0,036				
	40	M40	F802 4000E	F742 4000E	22	32	53	10	52	0,061		L40	F803 4000E	F743 4000E	16	0,063				
	50	M50	F802 5000E	F742 5000E	28	38,5	60	12	55	0,080		L50	F803 5000E	F743 5000E	16	0,082				
63	M63	F802 6300E	F742 6300E	40	48	70	12	56	0,089	L63	F803 6300E	F743 6300E	16	0,093						
Short thread Metric reduced sealing	12r	M12	F802 1240E	F742 1240E	3	5	15	8	24	0,004	Long thread Metric reduced sealing	L12r	F803 1240E	F743 1240E	15	0,004				
	16Sr	M16	F802 1660E	F742 1660E	4	6	19	10	27	0,008		L16Sr	F803 1660E	F743 1660E	15	0,009				
	16Lr	M16	F802 1640E	F742 1640E	4	7	22	10	29	0,009		L16Lr	F803 1640E	F743 1640E	15	0,009				
	20Sr	M20	F802 2060E	F742 2060E	5	9	24	10	30	0,013		L20Sr	F803 2060E	F743 2060E	15	0,011				
	20Lr	M20	F802 2040E	F742 2040E	8	12	27	10	33	0,014		L20Lr	F803 2040E	F743 2040E	15	0,013				
	25Sr	M25	F802 2560E	F742 2560E	8	12	27	10	35	0,016		L25Sr	F803 2560E	F743 2560E	15	0,017				
	25Lr	M25	F802 2540E	F742 2540E	10	16	33	10	39	0,023		L25Lr	F803 2540E	F743 2540E	15	0,024				
	32Sr	M32	F802 3240E	F742 3240E	14	21	42	10	42	0,036		L32Sr	F803 3240E	F743 3240E	15	0,038				
	40r	M40	F802 4040E	F742 4040E	16	26	53	10	52	0,064		L40r	F803 4040E	F743 4040E	16	0,066				
	50r	M50	F802 5040E	F742 5040E	20	31	60	12	55	0,082		L50r	F803 5040E	F743 5040E	16	0,085				
63r	M63	F802 6340E	F742 6340E	30	39	70	12	56	0,093	L63r	F803 6340E	F743 6340E	16	0,097						
NPT standard	3/8	3/8"	F804 0800E	F744 0800E	5	8	19	11	27	0,007	NPT reduced sealing	3/8r	F804 0840E	F744 0840E	4	6	19	11	27	0,008
	1/2	1/2"	F804 1200E	F744 1200E	7	12	24	14	30	0,011		1/2r	F804 1240E	F744 1240E	5	9	24	14	30	0,012
	3/4	3/4"	F804 2000E	F744 2000E	12	18	33	15	39	0,024		3/4r	F804 2040E	F744 2040E	10	16	33	15	39	0,026
	1	1"	F804 2800E	F744 2800E	16	25	42	18	42	0,041		1r	F804 2840E	F744 2840E	14	21	42	18	42	0,043

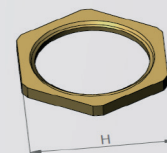
Dimension in millimeters

ACCESSORIES

LOCKNUT



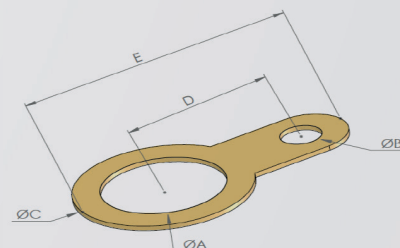
Lock Nut size	Metric	Part Number			Across flats (H)	Thickness
		Brass	Nickel plated	Stainless steel		
LN12	M12	D4312000	D4312109	D7812920	15	3,0
LN16	M16	D4316008	D4316107	D7816920	20 / 19(SS)	3,0
LN20	M20	D4320005	D4320104	D7820920	24	3,5
LN25	M25	D4325000	D4325109	D7825920	30	3,5
LN32	M32	D4332008	D4332107	D7832920	35 / 36(SS)	4,5
LN40	M40	D4340003	D4340102	D7840920	45 / 46(SS)	4,5
LN50	M50	D4350002	D4350101	D7850920	55	5,5
LN63	M63	D4363002	D4363101	D7863920	70	6,0
LN75	M75	D4375005	D4375104	D7875920	80	8,0
LN80	M80	D4380000	D4380100	D7880920	90	10,0
LN90	M90	D4390000	D4390100	D7890920	100	12,0
LN100	M100	D4399000	D4399100	D7899920	110	12,0
LN110	M110	ON REQUEST	D4311100	ON REQUEST	125	15,0



EARTH TAG



Earth Tag size	Metric	Part Number	ØA	ØB	ØC	D	E	Thickness
ET12	M12	N9812100	12,0	6,6	29,0	26,8	47,9	1,0
ET16	M16	N9816100	16,0	6,6	29,0	26,6	47,9	1,0
ET20	M20	N9820100	20,1	6,7	29,0	25,7	47,9	1,0
ET25	M25	N9825100	25,2	6,7	36,9	31,0	57,2	1,0
ET32	M32	N9832100	32,1	6,9	43,7	37,7	69,5	1,0
ET40	M40	N9840100	39,9	6,9	52,6	43,4	78,0	1,2
ET50	M50	N9850100	50,0	6,9	64,4	49,9	90,4	1,2
ET63	M63	N9863100	62,8	6,9	79,6	65,3	116,8	1,3
ET75	M75	N9875100	75,6	6,9	96,0	74,4	133,5	1,3
ET80	M80							
ET90	M90							
ET100	M100							



Other material on request

SERRATED WASHER



Serrated Washer size	Metric	Part Number		Ø outer
		Zinc steel	Stainless steel	
SW16	M16	N8816000	N8716000	25,5
SW20	M20	N8820000	N8720000	32,5
SW25	M25	N8825000	N8725000	40,0
SW32	M32	N8832000	N8732000	43,0
SW40	M40	N8840000	N8740000	60,0
SW50	M50	N8850000	N8750000	78,0
SW63	M63	N8863000	N8763000	98,0
SW75	M75	N8875000	N8775000	110,0
SW80	M80			
SW90	M90			
SW100	M100			

ON REQUEST

SHROUD



Shroud size	Cable glands size	S-CW	S-E1W	S-1F	S-4F
SH12S	12S	N0805000	N0805000	N0804000	N0805000
SH16S	16S	N0805000	N0805000	N0804000	N0805000
SH16L	16L	N0806000	N0806000	N0805000	N0806000
SH20XS	20XS	N0805000	N0805000	-	N0805000
SH20S	20S	N0806000	N0806000	N0805000	N0806000
SH20L	20L	N0807000	N0807000	N0806000	N0807000
SH25XS	25XS	N0806000	N0806000	N0805000	N0806000
SH25S	25S	N0807000	N0807000	N0806000	N0807000
SH25L	25L	N0808000	N0808000	N0807000	N0808000
SH32S	32S	N0808000	N0808000	N0807000	N0808000
SH32L	32L	N0809000	N0809000	N0808000	N0809000
SH40S	40S	N0809000	N0809000	N0808000	N0809000
SH40L	40L	N0810000	N0810000	N0809000	N0810000
SH50XS	50XS	-	-	-	N0810000
SH50S	50S	N0810000	N0810000	N0809000	N0811000
SH50L	50L	N0811000	N0811000	N0810000	N0812000
SH63S	63S	N0812000	N0812000	N0811000	N0812000
SH63L	63L	N0813000	N0813000	N0812000	N0813000
SH75S	75S	N0813000	N0813000	N0812000	N0813000
SH75L	75L	N0814000	N0814000	N0813000	N0814000
SH80S	80S	N0814000	N0814000	N0813000	N0814000
SH80L	80L	N0815000	N0815000	N0814000	N0815000
SH90S	90S	N0815000	N0815000	N0814000	N0815000
SH90L	90L	N0816000	N0816000	N0815000	N0816000
SH100S	100S	N0816000	N0816000	N0815000	-
SH100L	100L	-	-	N0816000	N0816000

Dimension in millimeters



Schlemmer
Industry & Building Parts

INDUSTRY



CABLE GLANDS AND ACCESSORIES
in brass, nylon and stainless steel on request

COUPLINGS AND CONDUITS
in plastic and metal-plastic

Threads : PG07 to 48 - M12 to M63 -
3/8" to 1" NPT - short and long

RAILWAY APPLICATIONS



IP 65 IP 68

CABLE GLANDS AND ACCESSORIES
in brass, nylon and stainless steel on request

HIGH PROTECTION
against bending, twisting,
fire and smoke (EN 45 545)

High strain relief, sealings
(silicone, nitrile, neoprene)
for high resistance to cold and ice

HAZARDOUS AREAS



CABLE GLANDS
for non-armoured (1F)
and armoured (4F)
cables,
Deluge protection

High level of protection, used in
gas atmospheres (zones 1 & 2)
and dust atmospheres
(zones 21 & 22)

BUILDING APPLICATIONS



Innovative products complying to
the RT2015 norm,
following test report CSTB
n° CAPE AT 13-038-V1

www.schlemmer.com

Find out more about our complete
range of products on our website

www.sibadr.com

HEADQUARTERS, PLANT

25, rue Théophile Somborn - BP 20040
F-57220 BOULAY-MOSELLE
Tél. +33 (0)3 87 79 20 22
Fax +33 (0)3 87 57 32 45
E-mail : contact@sibadr.com

SALES DEPARTMENT

France
Tél. +33 (0)3 87 79 29 92
Fax +33 (0)3 87 57 39 92
E-mail : sibadr.fra@sibadr.com

Export

Tél. +33 (0)3 87 79 39 88
+33 (0)3 87 79 39 89
Fax +33 (0)3 87 79 35 60
E-mail : export@sibadr.com