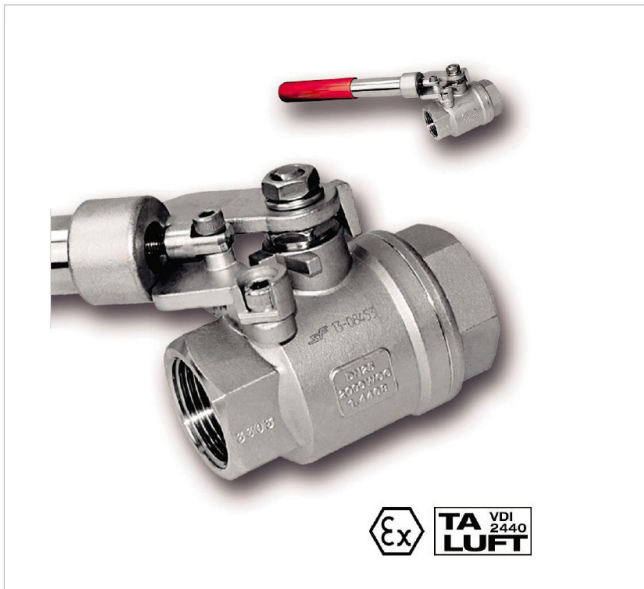


## Data sheet

Hydraulic / Pneumatic - Ball valves, Valves - Ball valves with Thread

# Two Piece Ball Valve

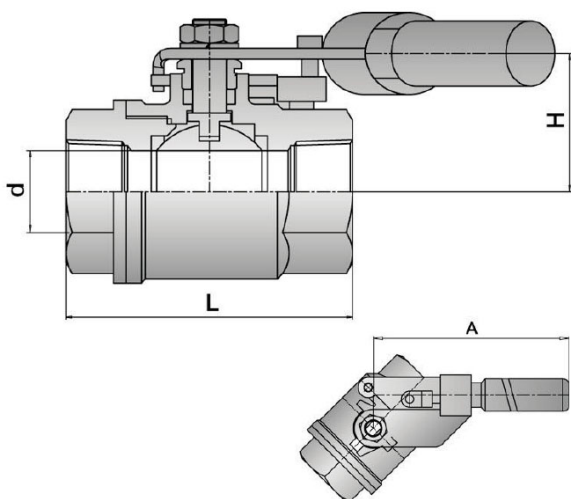


open Passage, with parallel BSP thread to EN ISO 228-1, with spring return in the hand lever

**Connection 1** G 3/8"

**Material** 1.4408

## Technical information



**Connection 1:** G 3/8"

**Material:** 1.4408

**PN:** 130

**DN:** 10

**G:** G 3/8"

**d:** 12,5

**L:** 57,0

**H:** 29,5

**A:** 184

**Weight:** 540 g

## Details

Housing and ball made of AISI 316. Sealing material PTFE. Ex according to Directive 2014/34/EU. We reserve the right to alter dimensions. Please note the pressure-temperature diagram.