



LED module with integrated LED 24 V AC/DC, yellow, screw terminal, for front plate mounting, Minimum order quantity 5 or a multiple thereof

|                                                             |                                  |
|-------------------------------------------------------------|----------------------------------|
| <b>product brand name</b>                                   | SIRIUS ACT                       |
| <b>product designation</b>                                  | LED module                       |
| <b>product type designation</b>                             | 3SU1                             |
| <b>General technical data</b>                               |                                  |
| <b>product component</b>                                    |                                  |
| • diode                                                     | Yes                              |
| • lamp transformer                                          | No                               |
| • light source                                              | Yes                              |
| • series resistor                                           | No                               |
| insulation voltage rated value                              | 320 V                            |
| <b>degree of pollution</b>                                  | 3                                |
| type of voltage of the operating voltage                    | AC/DC                            |
| • for actuation                                             | AC/DC                            |
| <b>surge voltage resistance rated value</b>                 | 4 kV                             |
| consumed current maximum                                    | 25 mA                            |
| protection class IP                                         |                                  |
| • of the enclosure                                          | IP40                             |
| • of the terminal                                           | IP20                             |
| <b>shock resistance</b>                                     |                                  |
| • acc. to IEC 60068-2-27                                    | Sinusoidal half-wave 50g / 11 ms |
| • for railway applications acc. to DIN EN 61373             | Category 1, Class B              |
| <b>vibration resistance</b>                                 |                                  |
| • acc. to IEC 60068-2-6                                     | 10 ... 500 Hz: 5g                |
| • for railway applications acc. to DIN EN 61373             | Category 1, Class B              |
| <b>operating period typical</b>                             | 100 000 h                        |
| <b>reference code acc. to IEC 81346-2</b>                   | P                                |
| Substance Prohibitance (Date)                               | 01.10.2014 00:00:00              |
| <b>operating voltage 1</b>                                  |                                  |
| • at AC                                                     |                                  |
| — at 50 Hz rated value                                      | 24 V                             |
| — at 60 Hz rated value                                      | 24 V                             |
| • at DC rated value                                         | 24 V                             |
| <b>relative positive tolerance of the operating voltage</b> | 20 %                             |
| <b>relative negative tolerance of the operating voltage</b> | 20 %                             |
| <b>Control circuit/ Control</b>                             |                                  |
| <b>inrush current maximum</b>                               | 2 A                              |
| <b>Connections/ Terminals</b>                               |                                  |

|                                                     |                                    |
|-----------------------------------------------------|------------------------------------|
| <b>type of electrical connection</b>                | screw-type terminals               |
| <b>type of connectable conductor cross-sections</b> |                                    |
| • solid with core end processing                    | 2x (0.5 ... 0.75 mm <sup>2</sup> ) |
| • solid without core end processing                 | 2x (1.0 ... 1.5 mm <sup>2</sup> )  |
| • finely stranded with core end processing          | 2x (0.5 ... 1.5 mm <sup>2</sup> )  |
| • finely stranded without core end processing       | 2x (1,0 ... 1,5 mm <sup>2</sup> )  |
| • at AWG cables                                     | 2x (18 ... 14)                     |
| • tightening torque with screw-type terminals       | 0.8 ... 0.9 N·m                    |

|                                   |                   |
|-----------------------------------|-------------------|
| <b>Lamp</b>                       |                   |
| <b>type of light source</b>       | LED               |
| <b>color of the light source</b>  | yellow            |
| <b>light intensity</b>            | 900 ... 1 400 mcd |
| <b>certificate of suitability</b> |                   |
| • ATEX                            | No                |
| • IECEX                           | No                |

|                                                           |                                                                                                             |
|-----------------------------------------------------------|-------------------------------------------------------------------------------------------------------------|
| <b>Ambient conditions</b>                                 |                                                                                                             |
| • ambient temperature during operation                    | -25 ... +70 °C                                                                                              |
| • ambient temperature during storage                      | -40 ... +80 °C                                                                                              |
| environmental category during operation acc. to IEC 60721 | 3M6, 3S2, 3B2, 3C3, 3K6 (with relative air humidity of 10 ... 95 %, no condensation in operation permitted) |

|                                           |                      |
|-------------------------------------------|----------------------|
| <b>Installation/ mounting/ dimensions</b> |                      |
| <b>fastening method</b>                   |                      |
| • of modules and accessories              | Front plate mounting |
| <b>height</b>                             | 33.2 mm              |
| <b>width</b>                              | 9.8 mm               |
| <b>depth</b>                              | 29.4 mm              |

|                                 |            |                                  |
|---------------------------------|------------|----------------------------------|
| <b>Certificates/ approvals</b>  |            |                                  |
| <b>General Product Approval</b> | <b>EMC</b> | <b>Declaration of Conformity</b> |



[Miscellaneous](#)

|                                  |                          |                          |
|----------------------------------|--------------------------|--------------------------|
| <b>Declaration of Conformity</b> | <b>Test Certificates</b> | <b>Marine / Shipping</b> |
|----------------------------------|--------------------------|--------------------------|



EG-Konf.

[Special Test Certificate](#)

[Type Test Certificates/Test Report](#)



ABS



LRS



PRS

|                          |              |
|--------------------------|--------------|
| <b>Marine / Shipping</b> | <b>other</b> |
|--------------------------|--------------|



RINA



RMRS

[Confirmation](#)

|                            |
|----------------------------|
| <b>Further information</b> |
|----------------------------|

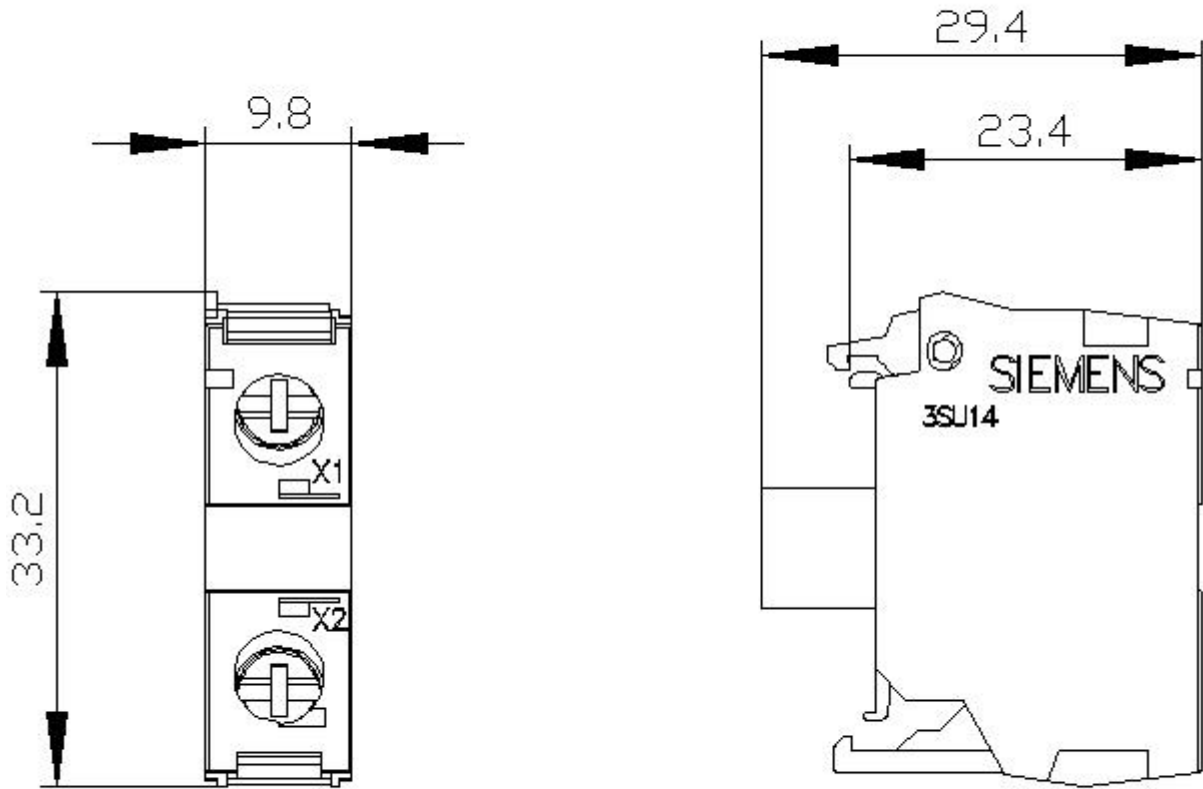
Information- and Downloadcenter (Catalogs, Brochures,...)

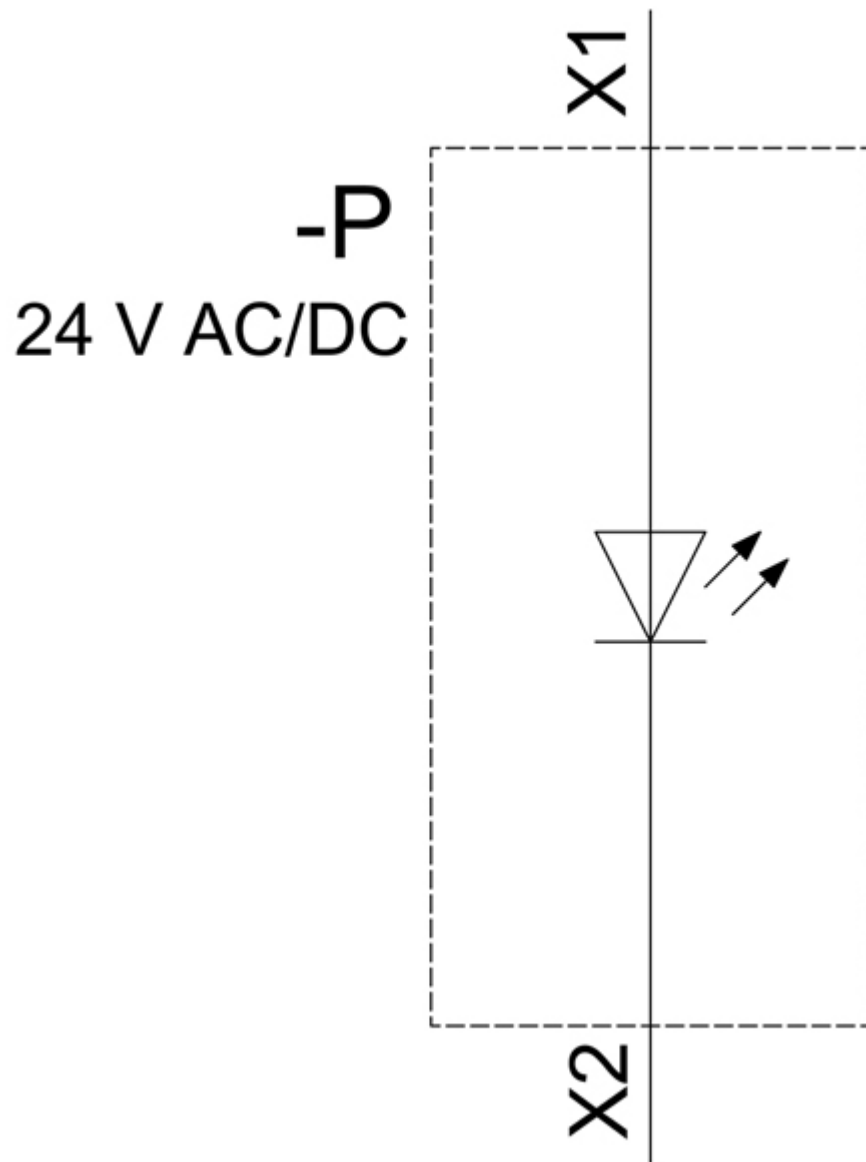
<https://www.siemens.com/ic10>

Industry Mall (Online ordering system)

<https://mall.industry.siemens.com/mall/en/en/Catalog/product?mfb=3SU1401-1BB30-1AA0>

Cax online generator





last modified:

12/18/2020 