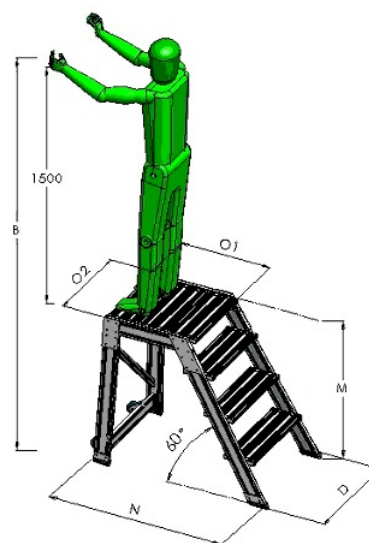


10400 - Portable aluminium step stand with large platform 60°



Highlights

- Maximum aprox. working height (mts): 3
- Tilt °: 60
- Rung (mm): 200
- Distance between rungs (mm): 250



More details

- For 60° inclination you must descend backwards.
- Extruded profile.
- It is fixed and has wheels.
- Platform 600 x 600.
- Tangential rear wheels for moving.
- Front carrying straps.
- Order type (2).

Model / Plan download	Rungs	Weight	Width D	Overture N	Platform height	Working height B	Total height M	Platform O1/O2
1040002	2	14	600	854	500	2000	510	600x600
1040003	3	17	600	1008	750	2250	760	600x600
1040004	4	20	600	1166	1000	2500	1010	600x600

Technical standards applied:

• UNE-EN 131.7 "Mobile ladders with platform" • EN ISO 14122 "Permanent means of access to machinery"

Technical specifications:

• Maximum use load: 150 Kg (tested at 300 kg) • Maximum surface working load: 200 Kg/m² (tested at 400 Kg/m²) • Construction elements: Aluminum and zinc screws

Documentation sent:

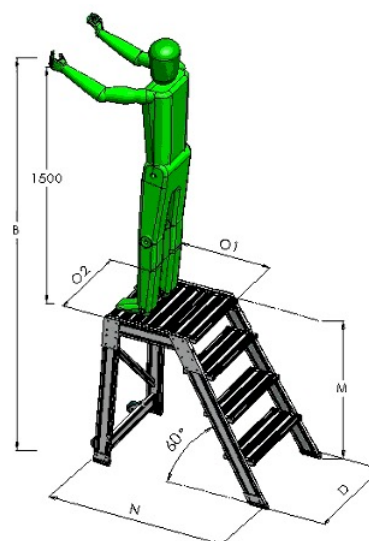
• User instructions • Maintenance and assembly instructions

10405 - Portable aluminium step stand with large platform 45°



Highlights

- Maximum aprox. working height (mts): 2.8
- Tilt °: 45
- Rung (mm): 200
- Distance between rungs (mm): 205



More details

- For 45° inclination you can descend forward.
- Extruded profile.
- It is fixed and has wheels.
- Platform 600 x 600.
- Tangential rear wheels for moving.
- Front carrying straps.
- Order type (2).

Model / Plan download	Rungs	Weight	Width D	Overturn N	Platform height	Working height B	Total height M	Platform O1/O2
1040502	2	14	600	988	410	1910	418	600x600
1040503	3	17	600	1204	615	2115	623	600x600
1040504	4	20	600	1420	820	2320	828	600x600

Technical standards applied:

• UNE-EN 131.7 "Mobile ladders with platform" • EN ISO 14122 "Permanent means of access to machinery"

Technical specifications:

• Maximum use load: 150 Kg (tested at 300 kg) • Maximum surface working load: 200 Kg/m² (tested at 400 Kg/m²) • Construction elements: Aluminum and zinc screws

Documentation sent:

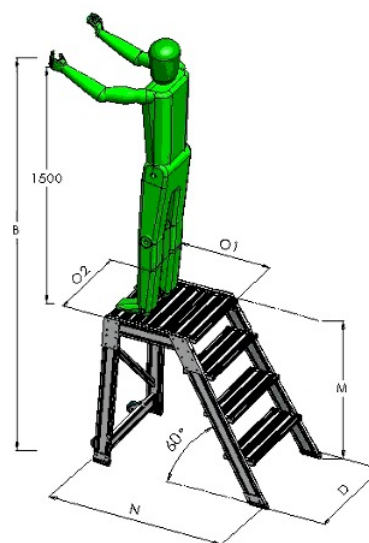
• User instructions • Maintenance and assembly instructions

10403 - Portable aluminium step stand with large platform 35°



Highlights

- Maximum aprox. working height (mts): 2.8
- Tilt °: 35
- Rung (mm): 300
- Distance between rungs (mm): 200



More details

- For 35° inclination you can descend forward.
- The 300 mm wide step allows you to work in each.
- Extruded profile.
- It is fixed and has wheels.
- Platform 800 x 800.
- Tangential rear wheels for moving.
- Front carrying straps.
- Order type (1).

Model / Plan download	Rungs	Weight	Width D	Overture N	Platform height	Working height B	Total height M	Platform O1/O2
1040302	2	19	850	1154	400	1900	463	800x800
1040303	3	23	850	1440	600	2100	663	800x800
1040304	4	29	850	1725	800	2300	863	800x800

Technical standards applied:

• UNE-EN 131.7 "Mobile ladders with platform" • EN ISO 14122 "Permanent means of access to machinery"

Technical specifications:

• Maximum use load: 150 Kg (tested at 300 kg) • Maximum surface working load: 200 Kg/m² (tested at 400 Kg/m²) • Construction elements: Aluminum and zinc screws

Documentation sent:

• User instructions • Maintenance and assembly instructions