



Meggitt Fuelling Products

Avery-Hardoll
Whittaker Controls

4 inch self-sealing industrial couplings

with

cam operated hose units CCMY558/559 series

connectors CCMY550/551 (45 deg) or CCMY554/555 (90 deg) series

and tank units CCMY4500/4501 series

Maintenance manual with spare parts list

Publication ref TP0048

Issue 2 July 2004

Avery-Hardoll
Holland Way
Blandford Forum
Dorset DT11 7BJ
UK

Tel: +44 (0) 1258 486600
Fax: +44 (0) 1258 486601

www.meggittfuelling.com

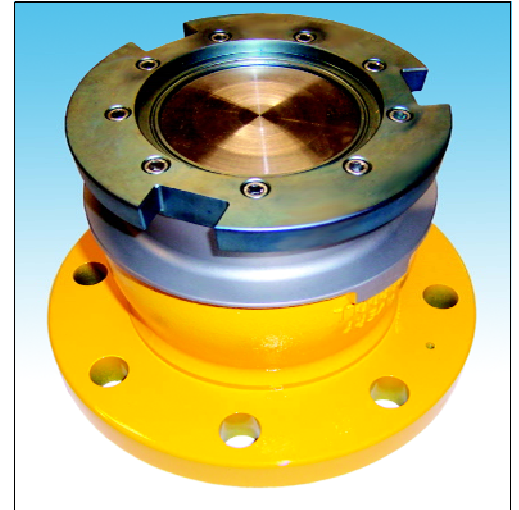
Whittaker Controls
12838 Saticoy St
North Hollywood
California 91605-3505
USA

Tel: +1 818 765 8160
Fax: +1 818 759 2194

www.wkr.com
www.meggitt.com

The information contained herein is the property of Avery Hardoll a division of Meggitt (UK) Ltd. No part may be reproduced or used except as authorised by contract or other written permission. The Company reserves the right to alter without notice the specification, design or conditions of supply of any product or service.

MEGGITT
smart engineering for
extreme environments



Introduction

The 4in. Hose Unit and associated connectors are available as shown in Table.

Hose Unit and Connector Assembly Part Number		Type of Hose Connector
4in. ASSPT	4in. BSPPT	
CCMY550	CCMY551	45° Bend
CCMY554	CCMY555	90° Bend
CCMY558	CCMY559	Straight

The Hose Unit is common to all versions; Figure 1 and its associated Parts List detail the items available as spares. The various connectors are illustrated separately, each having its own spare parts list.

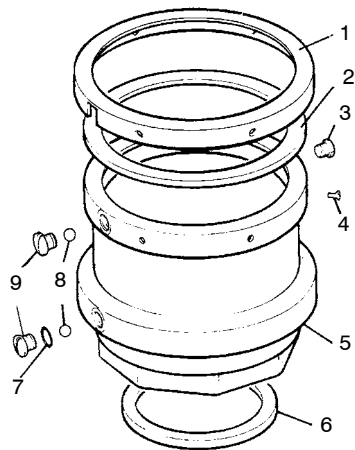
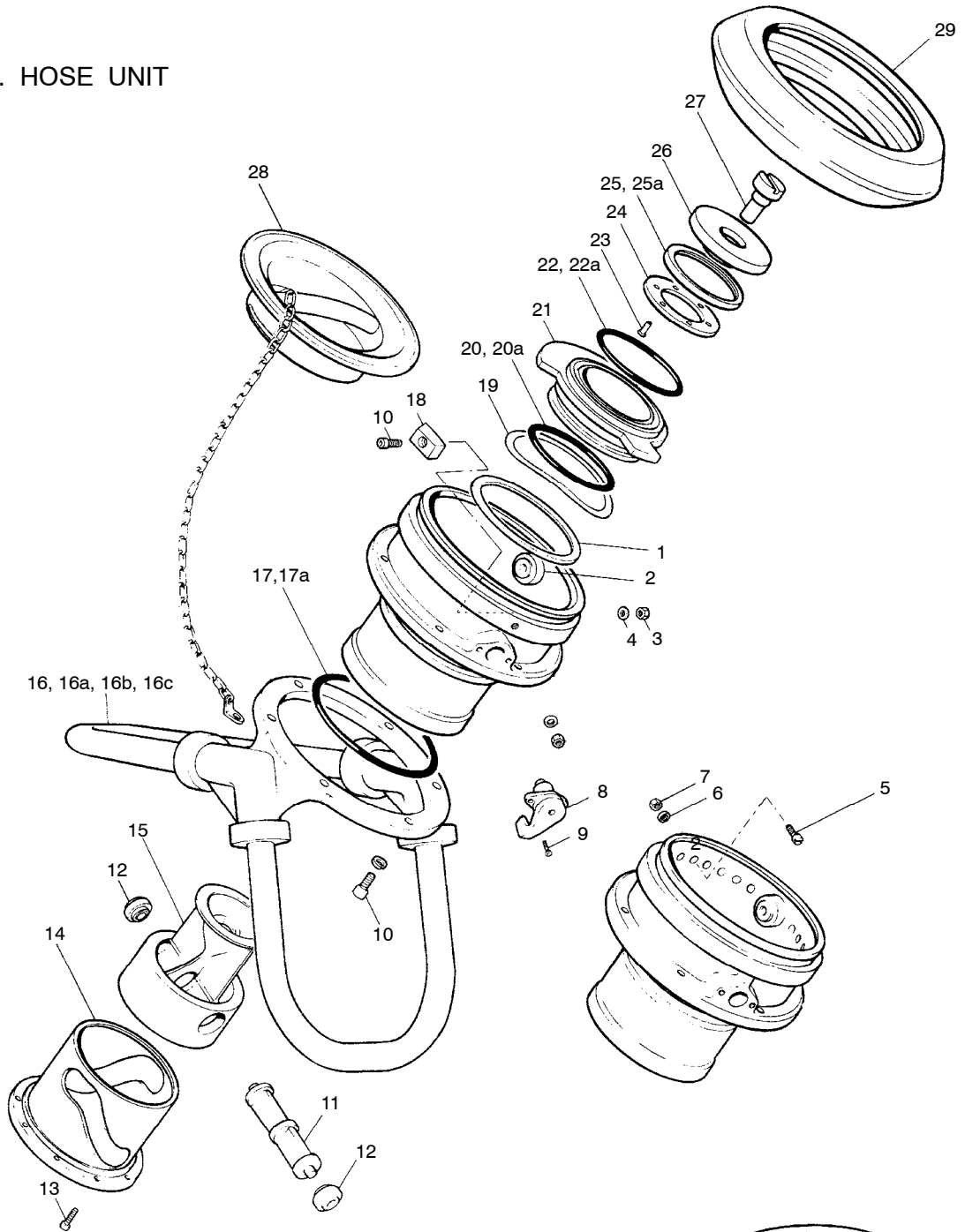
Pressures

- Maximum working pressure - 10.3 bar (150 psi)
 - Maximum coupling pressure - 6.9 bar (100 psi)
 - Test pressure - with Unit coupled to Ground Unit, 15.17 bar (250 psi)
- Test pressures to be maintained for one minute.

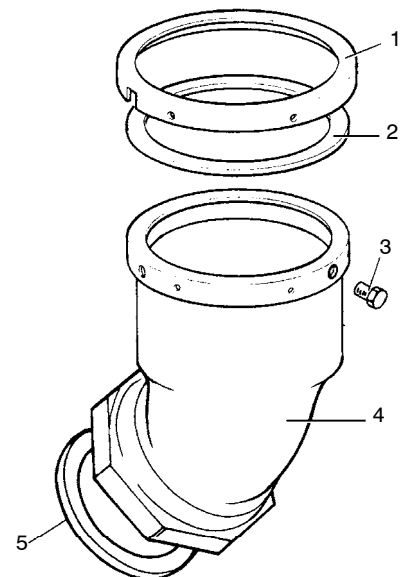
Servicing

- Inspect daily
 - the valve face for cleanliness and corrosion.
 - 'O' Ring Seal (22) for serviceability and correct seating, renewing if necessary.
 - the Hose Unit and Connector for damage, external signs of leakage and freedom of rotation. Ensure that all ball bearing grooves are packed with medium grease.

4in. HOSE UNIT



STRAIGHT CONNECTORS



45° BEND CONNECTORS

<u>ITEM</u>	<u>PART NO.</u>	<u>DESCRIPTION</u>	<u>QTY</u>
Hose Units CCMY550,CCMY554,CCMY558,CCMY551,CCMY555 AND CCMY559			
1	CCSZ681	Wave Spring	1
2	CCMZ574	Bayonet Roller Ass.	3
3	ZN2201E08A	Nut	4
4	ZW2201G08A	Washer	
8	CCMZ573	Lock Ass.	1
9	ZS2202A0207A	Screw	2
10	ZS3225E0812A	Screw	7
11	CCSZ682	Cam Roller Arm.	1
12	CCMZ575	Cam Roller Ass.	2
13	CCSZ1650	Special Screw	9
14	CCBZ667	Cam	1
15	CCMS964	Nozzle Valve	1
16	CCMZ572	Handle Hub Ass.	1
17	ZARZ0041-24	'O' Ring Nitrile	* 1
17a	ZARZ0041-25	'O' Ring Viton	* 1
18	CCSZ1042	Stop Piece	1
19	CCSZ660	Valve Wave Spring	1
20	ZO22E342210A	'O' Ring Seal Nitrile	* 1
20a	ZO32E342210A	'O' Ring Seal Viton	* 1
21	CCCZ963	Valve Seat	1
22	ZO22E340210A	"O" Ring	* 1
22a	ZO32E340210A	"O" Ring	* 1
23	ZS4001D0404A	Screw	6
24	CCCZ965	Seal Ring Clamp Plate	1
25	CCRZ662	Seal Ring Nitrile	* 1
25a	CCRZ1251	Seal Ring Viton	* 1
26	CCMZ962	Plate & Seal Sub Ass.	1
27	CCSZ966	Plate Screw	1
28	CCMY606	Dust Cap	1
29	CCRZ663	Buffer Ring	* 1
30	ZW8207G08A	Washer	6
31	ZT4001E0006A	Tension pin	1

STRAIGHT CONNECTORS

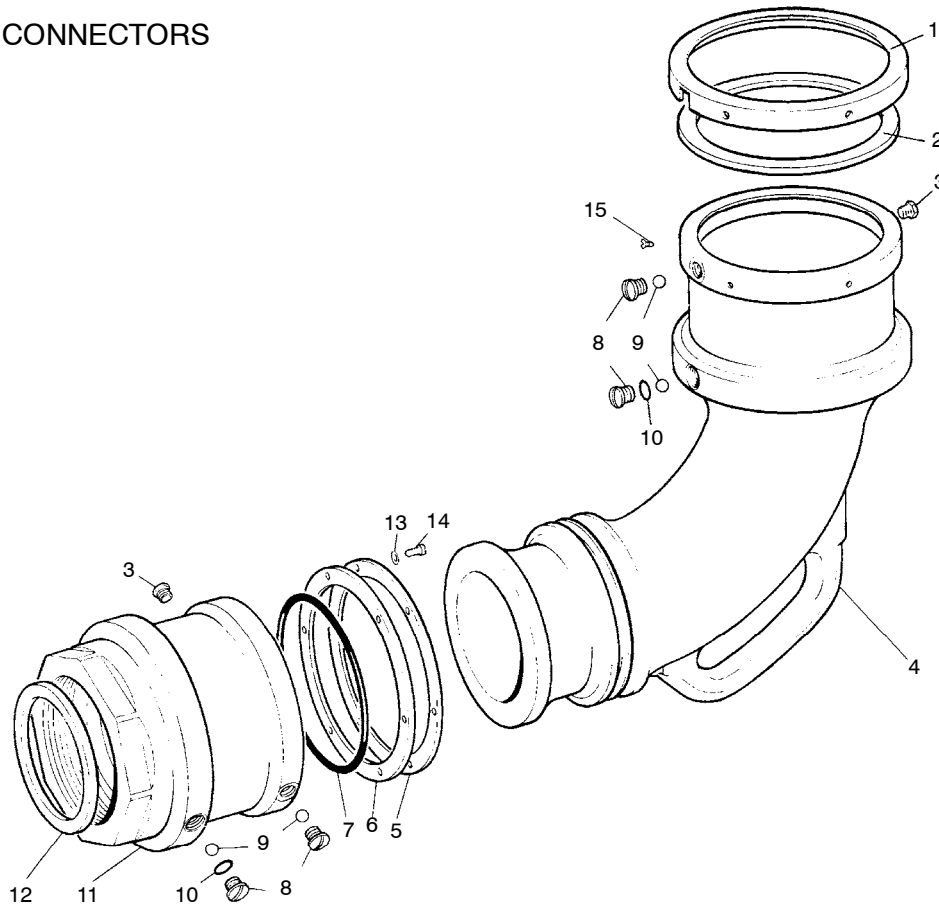
1	CCCZ999	Angle Plate	1
2	CCFZ998	Felt Ring	* 1
3	CCSZ1305	Plug	1
4	ZS4001D0203A	Screw	6
5	CCAS764	Hose Connector	1
6	CCRZ759	Sealing Ring Nitrile	* 1
6a	CCRZ7271	Sealing Ring Viton	* 1
7	ZO22E012070A	'O' Ring Seal Nitrile	* 1
7a	ZO32E012070A	'O' Ring Seal Viton	* 1
8	ZASZ0068/9	11/32in. dia. Ball	101
9	CCCZ769	Ball Retaining Plug	2

45° BEND CONNECTORS

1	CCCZ999	Angle Plate	1
2	CCFZ998	Felt Ring	* 1
3	CCSZ1305	Plug	1
4	CCAS683	Hose Connector	1
5	CCRZ759	Sealing Ring Nitrile	* 1
5a	CCRZ7271	Sealing Ring Viton	* 1
6	ZS4001D0203A	Screw	6
7	ZASZ0068-9	11/32in. dia. Ball	49
8	CCCZ769	Ball Retaining Ring	1

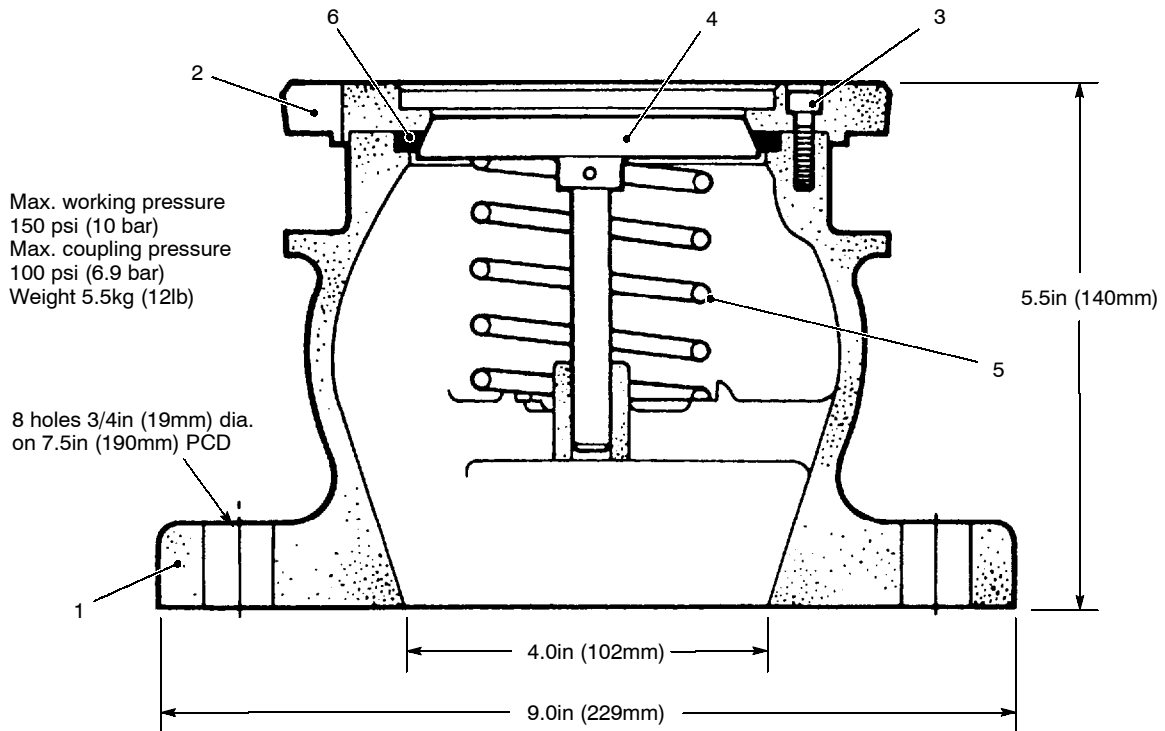
(* items denote suggested spares)

90° BEND CONNECTORS

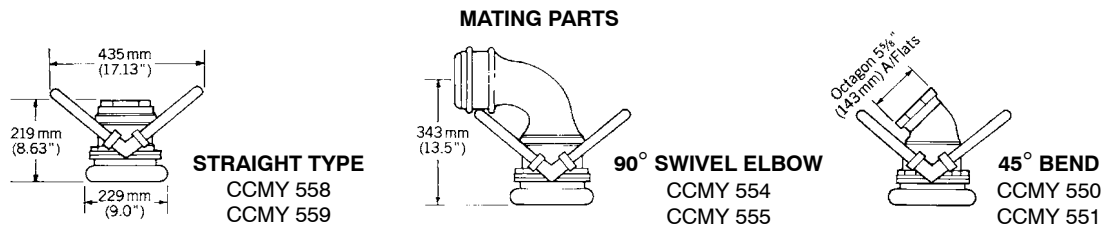


<u>ITEM</u>	<u>PART NO.</u>	<u>DESCRIPTION</u>	<u>QTY</u>
90° BEND CONNECTORS			
1	CCCZ999	Angle Plate	1
2	CCFZ998	Felt Ring	* 1
3	CCSZ1305	Plug	1
4	CCAZ768	90° Bend	1
5	CCCZ979	Spacing Plate	1
6	CCFZ973	Felt Wiping Ring	* 1
7	ZARZ0041-24	'O' Ring Nitrile	* 1
7a	ZARZ0041-25	'O' Ring Viton	* 1
8	CCCZ769	Ball Retaining Plug	4
9	ZASZ0068-9	11/32" dia. Ball	202
10	ZO22E012070A	'O' Ring Seal Nitrile	* 2
10a	ZO32E012070A	'O' Ring Seal Viton	* 2
11	CCAS765	Hose Connector	1
12	CCRZ759	Sealing Ring Nitrile	* 1
13	ZW1701A06A	6BA Washer	6
14	ZS2204D0205A	Screw	6
15	ZS4001D0203A	Screw	6
DUST CAP			
	CCMY606	Hose Unit Dust Cap	1

CCMY4500 4" Aluminium Tank Unit & CCMY4501 4" Offshore Tank Unit



* The CCMY4501 is specially designed for marine offshore applications and comprises st. steel internals and special bush.



Fig/ Item No.	Part No.	Description	Qty Assy	
	CCMY4500	CCMY4501	TANK UNIT	Ref
1	Not spared	Not spared	Valve Body	1
2	CCCS7161	CCCS7161	Flange, non selective Flange, selective	1
3	ZS3225D0814A	ZASZ0072-5	1/4" Screw	9
4	CCMZ7168	CCMZ7467	Valve sub assembly	1
5	ZASZ0001-11	ZASZ0001-20	Spring	1
6	CCRZ7163 CCRZ7163-1	CCRZ7163 CCRZ7163-1	Bonded Seal Nitrile Viton	1
	CCMY1360	LOCKING CAP		Ref
	Z022E340210A	'O' Ring Seal Nitrile (standard)		1
	Z032E340210A	'O' Ring Seal Viton		1
	CCMY600	STANDARD CAP		Ref
	Z022E340210A	'O' Ring Seal Nitrile		1

Intentionally left blank