



ZVA AdBlue :  
Construction similar to ZVA Slimline with automatic shut-off and safety cut out ball valve, check valve, 3-speed lever latch with removable latch pin EB 280, and screen EK 172. Available either with fixed hose inlet 'F', swivel EA 075 A or Safety Swivel Break SSB 16 SS of stainless steel.

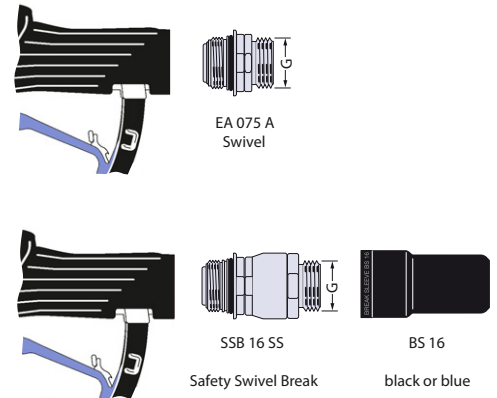
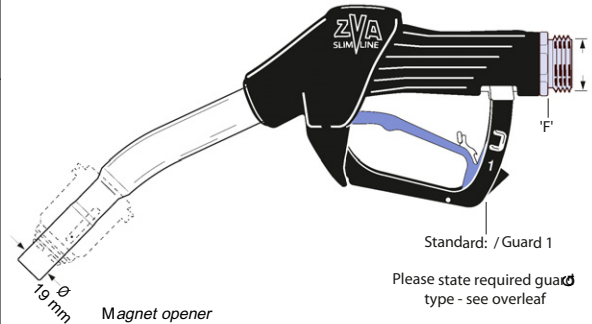
Body of aluminium nickel plated, spout aluminium, inner parts stainless steel / plastic. Hose inlet of stainless steel. Lever rilsan plated (blue), scuffguard + comfigrip PVC, seals NBR. Spout with magnet opening. To avoid misfuellings nozzle will only open in combination with magnet adapter ELAFIX 40 for the filler neck.

ZVA AdBlue SS :  
Like ZVA AdBlue, but body of stainless steel.

1,05	with swivel EA075 A 1" BSP male	ZVA ... AdBlue
1,05	mit Festanschluss 'F' with fixed inlet 'F' EG 173 A 1" BSP male	ZVA ... AdBlue F
1,15	w. Safety Swivel Break SSB 16 SS 1" BSP male	ZVA ... AdBlue SSB
1,60	with swivel EA075 AdBlue 1" BSP male	ZVA ... SS AdBlue
1,60	with fixed inlet 'F' EG 173 A 1" BSP male	ZVA ... SS AdBlue F
1,70	w. Safety Swivel Break SSB 16 SS 1" BSP male	ZVA ... SS AdBlue SSB

Automatic nozzle ZVA DN 15 of nickel plated aluminium (ZVA AdBlue SS: stainless steel). For "AdBlue" urea solution (= DEF, Diesel Exhaust Fluid) according DIN 70070 (AUS 32). Flow rate up to 40 l/min, working pressure 0,5 - 3,5 bar, minimum pump output 20 l/min. Requirements of ISO/DIS 22241-4 are met.

ZVA AdBlue  
ZVA AdBlue SS

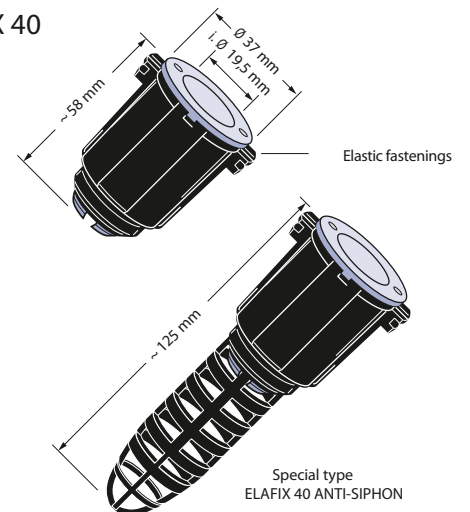


ELAFIX 40 is installed by the original equipment manufacturer into a modified vehicle filler neck, (DN 40 or larger).  
Refuelling with the ZVA AdBlue nozzle is only possible in combination with the ELAFIX 40 magnet adapter. The fixed magnetic field within the filler neck opens the magnet switch in the spout, so misfuelling into petrol or Diesel tanks is made impossible. The fuelling of the AdBlue tank with fuel is also excluded, because petrol and Diesel spouts do not fit into the ELAFIX 40 magnet adapter. Materials body of POM, capsulated ring magnet.  
Weight ≈ 65 g

ELAFIX 40

Magnet adapter ELAFIX 40 for installation in filler necks from DN 40. This adapter allows the refuelling of urea solution with ZVA AdBlue, without the risk of misfuellings.

ELAFIX 40



Special type with anti-theft device: Like ELAFIX 40, but body (POM) with basket to protect the introduction of an exit hose.  
Weight ≈ 70 g

ELAFIX 40 ANTI-SIPHON

# Spare Parts ZVA Slimline AdBlue + AdBlue SS

- 1) Nozzle body of nickel plated aluminium. Alternatively available: ZVA AdBlue SS of stainless steel. Body is not available as spare part.
- 2) Swivel body of stainless steel / POM, are not available as spare part.

