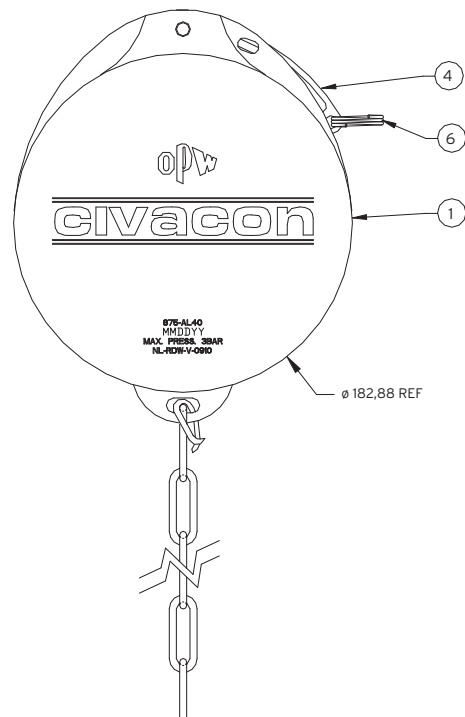


875 AL40 Dust Cap

CIVACON's 875 API Dust Cap is lightweight, corrosion resistant and designed for the protection of API RP 1004 tank-truck adaptors complying to ADR.

Specifications

875 AL40 DUST CAP



All dimensions are in mm

Features and Benefits

- **Certified** per ADR 4.3.4.1.1 up to 3 bar
- **Lightweight pressure** die-cast aluminium construction for maximum strength and weight reduction
- **Easy use** due to radial cam and lug design
- **Buna-N seal**
- **Glass-filled nylon** cams to reduce wear
- **Locking hole** for wire security seal
- **Private branding** on API Dust Cap is optional

General specifications

- Maximum working pressure 3 bar
- Working temp. -40°C to +70°C other temp. on request
- Weight 1 Kg

Related products

Art. number	Description
891-series	4" API Bottom Loading Adaptors

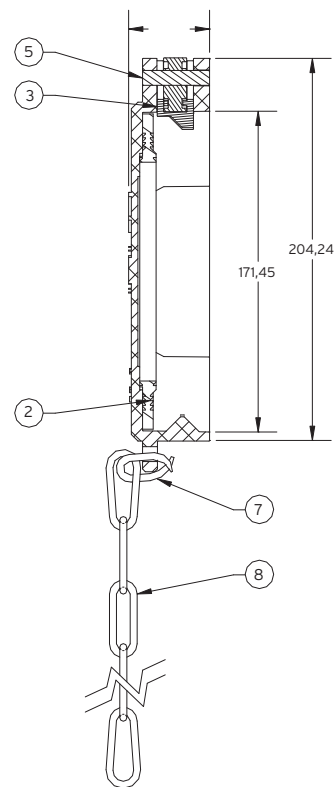
Ordering specifications

Art. number	Description
875-AL40	API Dust Cap
875-AL40-NOLABEL	API Dust Cap without inscription
875-AL40-(private label)	API Dust Cap with private branding

Spare parts

Item	Part number	Description	QTY
1	H71131	Cap	1
2	H71271	Gasket	1
3	H71132 ¹	Locking Block	1
4	H71133 ¹	Cam Lever	1
5	H71149 ¹	Cam Pin	1
6	H20550M ¹	Finger Ring	1
10919	Kit Chain:		
7	H08328M	Connector Ring	1
8	H20325M	Chain, Zinc Plated	1

1-Included in Cam Lever Repair Kit 11474



All dimensions are in mm