

PROTECTIVE COLLAR FOR EM. STOP MUSHROOM
 PUSHBUTTON, WITHOUT OR WITH RONIS LOCK,
 YELLOW, PLASTIC



Figure similar

product brand name		SIRIUS ACT
Product designation		Commanding and signaling devices
Design of the product		Protective collar for EMERGENCY STOP

Installation/ mounting/ dimensions:		
Height	mm	48
Width	mm	75

Accessories:		
Material of accessory		Plastic
Color of accessory		yellow

Certificates/ approvals:

Further information

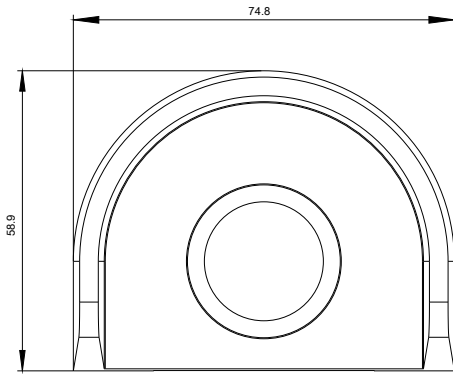
Information- and Downloadcenter (Catalogs, Brochures,...)
<http://www.siemens.com/industrial-controls/catalogs>

Industry Mall (Online ordering system)
<http://www.siemens.com/industrymall>

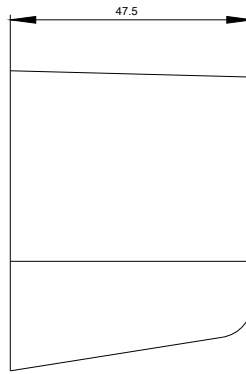
Cax online generator
<http://support.automation.siemens.com/WW/CAXorder/default.aspx?lang=en&mlfb=3SU19000DY300AA0>

Service&Support (Manuals, Certificates, Characteristics, FAQs,...)
<http://support.automation.siemens.com/WW/view/en/3SU19000DY300AA0/all>

Image database (product images, 2D dimension drawings, 3D models, device circuit diagrams, EPLAN macros, ...)
http://www.automation.siemens.com/bilddb/cax_de.aspx?mlfb=3SU19000DY300AA0&lang=en



last modified:



09.03.2015