

Production series: HPLS-EX
Item number: 8701124



The EX-High-Power-LED-Spot is a robust and compact surface-mounted light with high power output. The design and the technical features allow the use of this product in critical environments. The electrical design guarantees a constant light intensity even with an unsteady operating voltage. As a part of the HPLS-family, the EX-HPLS possesses all the features of the basic model (integrated 24V-power supply, fully encapsulated electronic and an active- and passive thermomanagement)

Ex-Protected

Built for potentially explosive areas, zone 2 (gas) and zone 22 (dust)

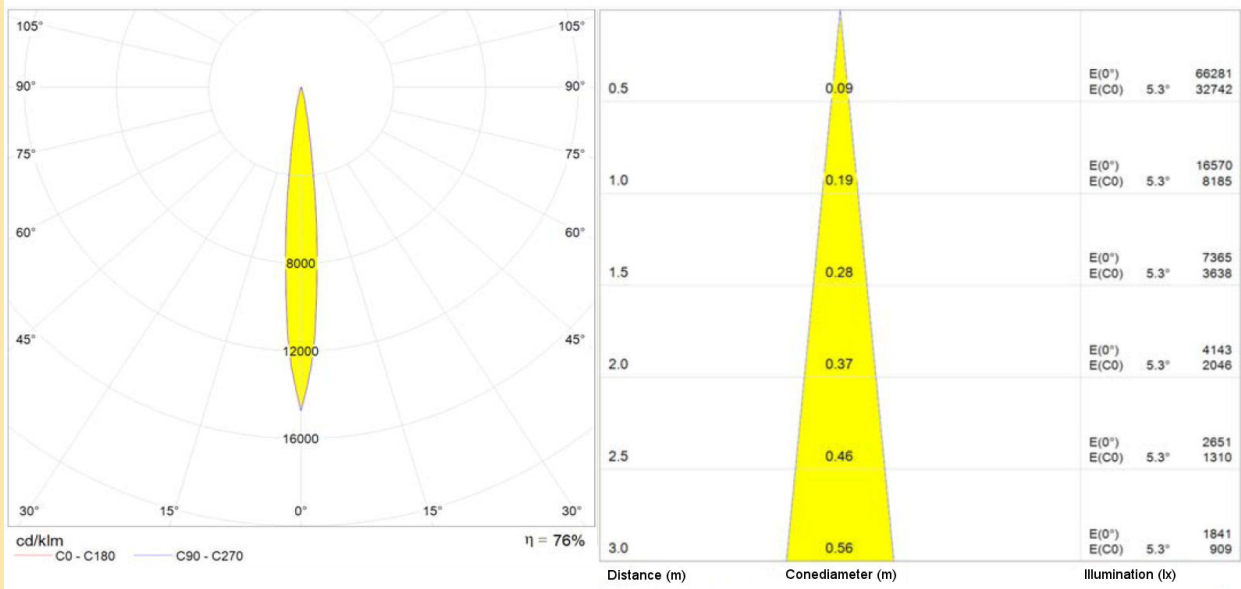
Conformity to standards

The LED light complies with the standards and requirements: IEC/EN 60079 -15, IEC/EN 60079-31, IEC/EN 60598 -1

Protection level IP...

The basic model of the HPLS-family includes a protection level of IP67
 For EX-Areas- after the necessary ball drop test- protection level 64 according to type-examination certificate BVS 11 ATEX E 108

Production series: HPLS-EX
Item number: 8701124



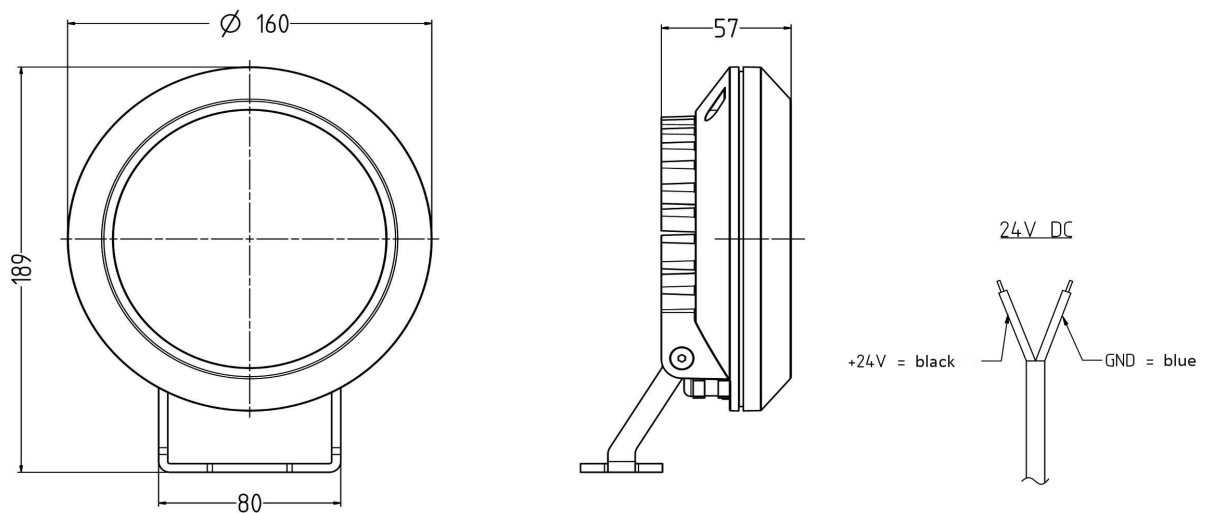
Photometric data

Description	Unit	Value
Light color		cool white
Color rendering index	Ra	-
Luminous flux	lm	910
Angle of radiation	°	8

Electrical data

Description	Unit	Value
Minimum operating voltage	V	16,8
Maximum operating voltage	V	31
Nominal voltage	V	24
Nominal current	mA	860
Nominal power	W	20

Production series: HPLS-EX
Item number: 8701124



Mechanical data

Description	Unit	Value
Cover material		Single-layer safety glass
Connection plug type		wire-end sleeves
Housing		aluminum
Mounting version		mounting bracket
Weight	KG	1
Protection level front		IP67
Protection level back		IP67

Environmental conditions

Description	Unit	Value
Life time	h	50000
Min. environment temperature	°C	-25
Max. environment temperature	°C	60
Min. storage temperature	°C	-25
Max. storage temperature	°C	60