

# WAFER TYPE BUTTERFLY VALVE TW 80/TW 100



Wafer type butterfly valve TW 100 with NBR-seat.

## TECHNICAL DATA

Nominal diameter:	DN 80 / DN 100
Face-to-face:	EBRO works standard
Flange accommodation:	DIN 28459 flanges for tank lorries
Flange Surface Design:	DIN 28459 ASME RF, FF
Tightness check:	EN 12266 (Leakage rate A) ISO 5208, Category 3
Temperature range:	-20°C to +160°C (depending on pressure and medium)
Operating pressure:	max. 6 bar
Body:	Aluminiumalloy
- one piece	GD-AISI9Cu3 (3.2163)
- splitted with PTFE seal	GK-AISI12(Cu) (3.2583.02)
Seat:	EPDM (Ethylene propylene diene monomer rubber) NBR (Nitrile butadiene rubber) FPM (Fluorocarbon rubber) PTFE (Polytetrafluorethylene)
Disc:	SBR-green (Styrene butadiene rubber) Stainless Steel G-X6CrNiMo18-10 (1.4408)

## FEATURES

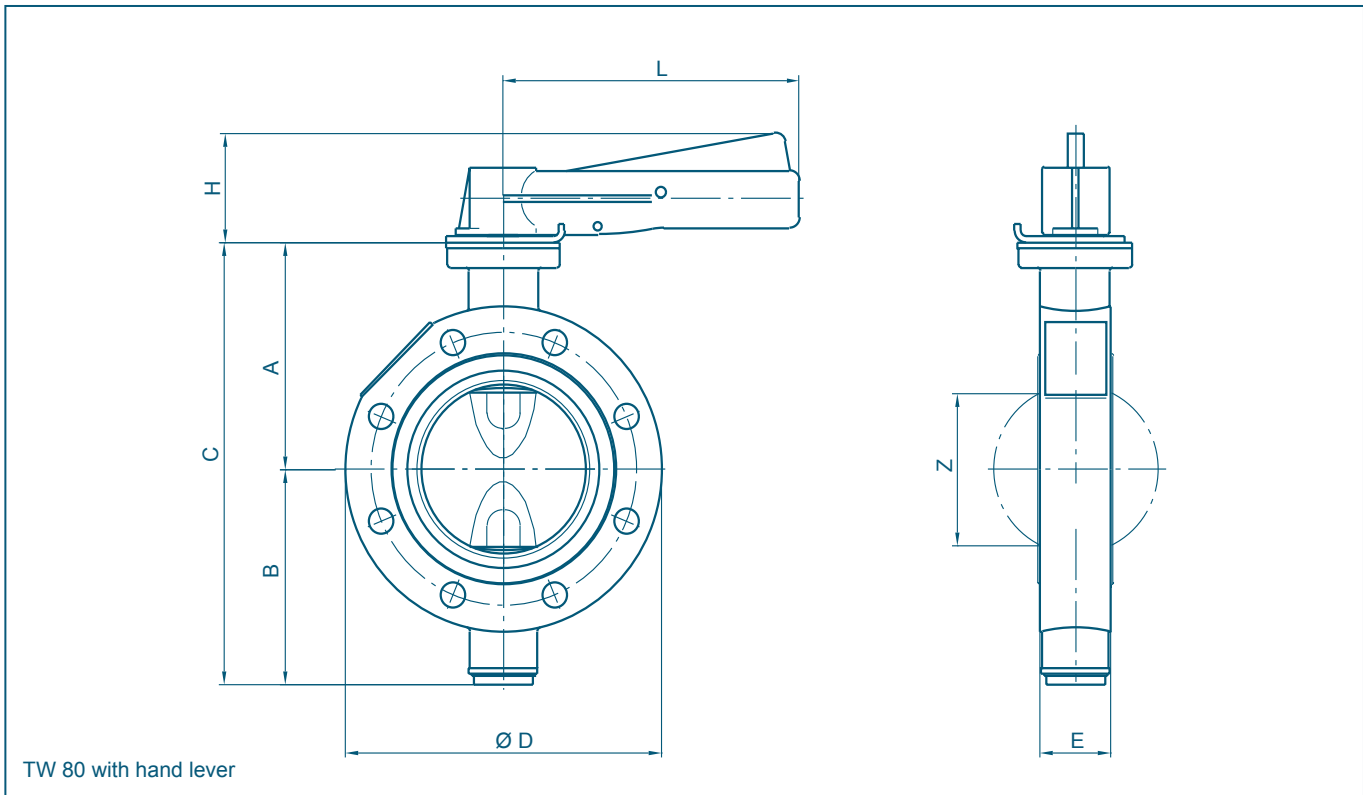
- Maintenance-free
- Triple shaft bearing
- Can be disassembled, material-specific recycling possible

## GENERAL APPLICATIONS

- Tank lorries



# WAFER TYPE BUTTERFLY VALVE TW 80/TW 100



DN [mm]	Size [in]	Dimensions [mm]								Weight [kg]
		A	B	C	D	E	H	L	Z	
80	3	108	103	211	155	35	52	145	71	2,3
100	4	118	113	231	174	35	52	145	93	2,6

TW DN 125: upon request

Subject to change without notice